

ROTANODE™
 E79039X C E 0197

Rotating Anode X-ray Tube Assembly

- ◆ The rotating anode X-ray tube assembly E79039X is designed with Hydrodynamic bearing lubricated by liquid metal and its rotor offers continuous high speed, extra low noise and high reliability.

General Data

IEC Classification (IEC60601-1:2005) Class I ME EQUIPMENT

Electrical:

Circuit:

High Voltage Generator Constant Potential High-Voltage Generator
 Grounding Center-grounded

Nominal X-ray Tube Voltage (IEC60613:2010):

Radiographic 125 kV
 Fluoroscopic:
 Continuous 125 kV
 Grid-Control 120 kV

Nominal Focal Spot Value (IEC60336:2005):

Large Focus 1.0
 Small Focus 0.6

Nominal Anode Input Power (at 0.1s) See rating charts

Large Focus 80 kW
 Small Focus 43 kW

Nominal Radiographic Anode Input Power (IEC60613:2010):

Large Focus 80 kW
 Small Focus 43 kW

★The information contained herein is presented only as a guide for the applications of our products.
 No Responsibility is assumed by TOSHIBA ELECTRON TUBES & DEVICES CO.,LTD.(TETD) for any infringements of patents or other rights of the third parties which may result from its use. No license is granted by implication or otherwise under any patent or patent rights of TETD or others.
 ★The information contained herein may be changed without prior notice. It is therefore advisable to contact TETD before proceeding with the design of equipment incorporating this product.

Motor Ratings: (Starter: Combination with ST-7017)

Stator: XS-AX

		Starting		Running	
Driven Frequency	[Hz]	165	140	165	140
Input Power	[W]	1500	2300	370	320
Voltage	[V]	220	170	150	125
Current	[A]	12	25 ¹⁾	8	7.0
Min. Speed up	[s]	3.5 ²⁾	11.0	-	-
Min. Braking	[s]	3.0 ³⁾	12.0	-	-

Note 1) 25A will be supplied during only 2secnds of starting in boost time.

2) Boost time from idling (Driven Frequency: from 140Hz to 165Hz)

3) Braking time to idling (Driven Frequency: from 160Hz to 140Hz)

Anode Speed	Minimum 9000 min ⁻¹
Cut-off grid Voltage (Small Focus)	-2900 VDC
Resistance between Housing and Low Voltage Terminals	Minimum 2 MΩ
Heat Exchanger Source Frequency	50/60 Hz
Heat Exchanger Input Voltage / Input Current	AC 100V, 2A
Normal Operating Range of the Housing Temperature	16 ~ 75 °C
Mode of Operation	Intermittent
Envelope Current (IEC60613:2010) (125kV/100mA)	(Approx) 10 mA
Envelope Voltage (IEC60613:2010) (125kV/100mA)	0kV

Mechanical:

Dimensions	See dimensional outline
Overall Length	501 mm
Maximum Diameter	175 mm
Target:	
Anode Angle (Effective)	11 degrees
Construction	Rhenium-Tungsten
Permanent Filtration	1.1 mm Al / 75 kV IEC60522:1999
Radiation Protection (In accordance with IEC60601-1-3:2008):	
Leakage Technique Factor	125 kV, 18 mA
X-ray Coverage	320 × 427 at SID 820 mm
Weight (Approx.)	38 kg
High Voltage Receptacle	CLAYMOUNT MINI-75
Cooling Method	Water-Cooled Heat Exchanger
Inner Cooling Method	Oil Circulation
Tube Model Number	E79039
Tube Housing Model Number	XH-1008

Absolute Maximum and Minimum Ratings (At any time, these values must not be exceeded)

Maximum X-ray Tube Voltage (IEC60613:2010):	
Radiographic	125 kV
Fluoroscopic	
Continuous	125 kV
Grid-control	120 kV
Between Anode (or Cathode) and Ground:	
Radiographic	62.5 kV
Fluoroscopic	
Continuous	62.5 kV
Grid-control	60.0 kV
Minimum X-ray Tube Voltage	50 kV
Maximum X-ray Tube Current (IEC60613:2010):	
Large Focus	800 mA
Small Focus	480 mA
Maximum Filament Current:	
Large Focus	5.8 A
Small Focus	5.0 A
Filament Frequency Limits	0 ~ 25 kHz
Filament Voltage: (At maximum filament current)	
Large Focus	15.2 V
Small Focus	12.1 V
Continuous Anode Input Power (IEC60613:2010)	2200 W
Thermal Characteristics:	
Anode Heat Content	1500 kJ (2100 kHU)
Maximum Anode Heat Dissipation	4500 W (6300 HU/s)
X-ray Tube Assembly Heat Content	1900 kJ (2679 kHU)
Nominal Continuous Anode Input Power (IEC60613:2010):	
With Water-Cooled Heat Exchanger (HEX-125)	3000 W (254 kHU/min)

Environmental Limits

Operating Limits:

Temperature	18 ~ 40 °C
Relative Humidity	30 ~ 85 %
	(No condensation)
Atmospheric Pressure	70 ~ 106 kPa

Transport and Storage:

Temperature:

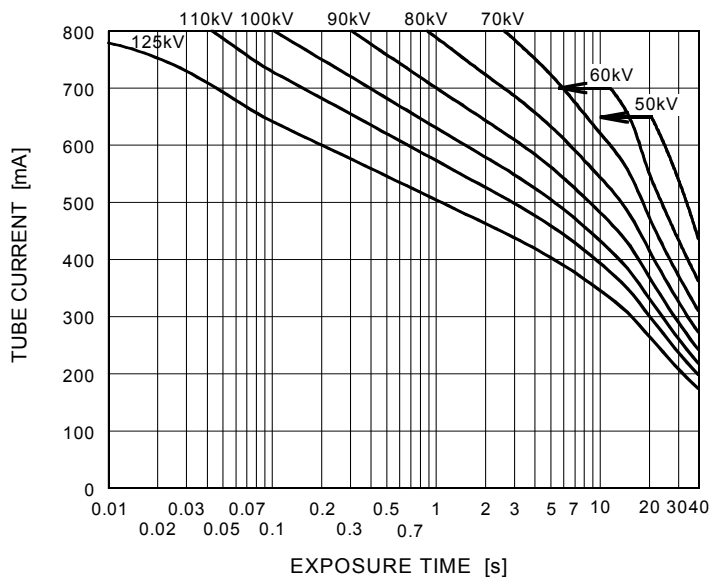
With Cooling Water Empty	-20 ~ 70 °C
With Cooling Water Filled	2 ~ 60 °C
Relative Humidity	20 ~ 90 %
	(No condensation)
Atmospheric Pressure	50 ~ 106 kPa
Position	Cathode under

Note 1) Please drain coolant off form X-ray tube assembly during transportation, storage and etc.
Otherwise, the X-ray tube assembly might be damaged by freeze of coolant.

Absolute Maximum Rating Charts

Conditions: Tube Voltage
Constant Potential High-Voltage Generator
Anode Rotation Speed 9000min^{-1}

Nominal Focal Spot Value: 1.0 ■

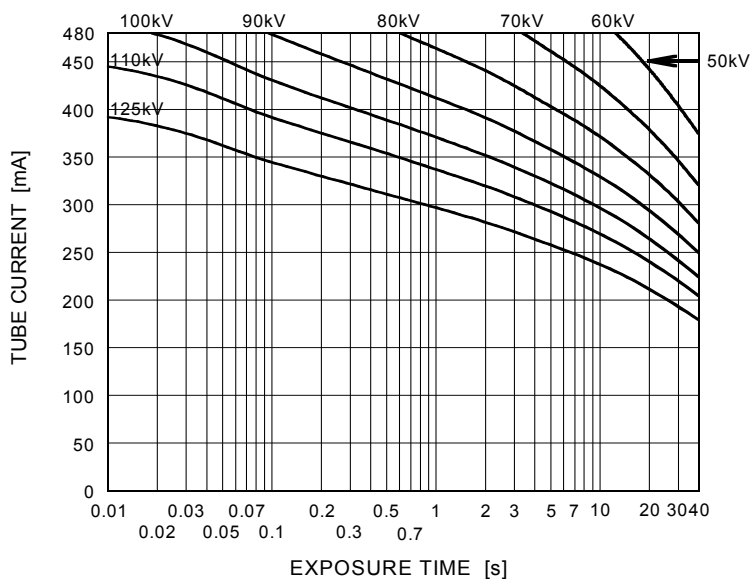


Note1) Do not exceed values in above table at all the time.

Equipment setting and calibration errors must be considered not to exceed the table values.

Note2) Refer to IEC60613:2010

Nominal Focal Spot Value: 0.6 □



Note1) Do not exceed values in above table at all the time.

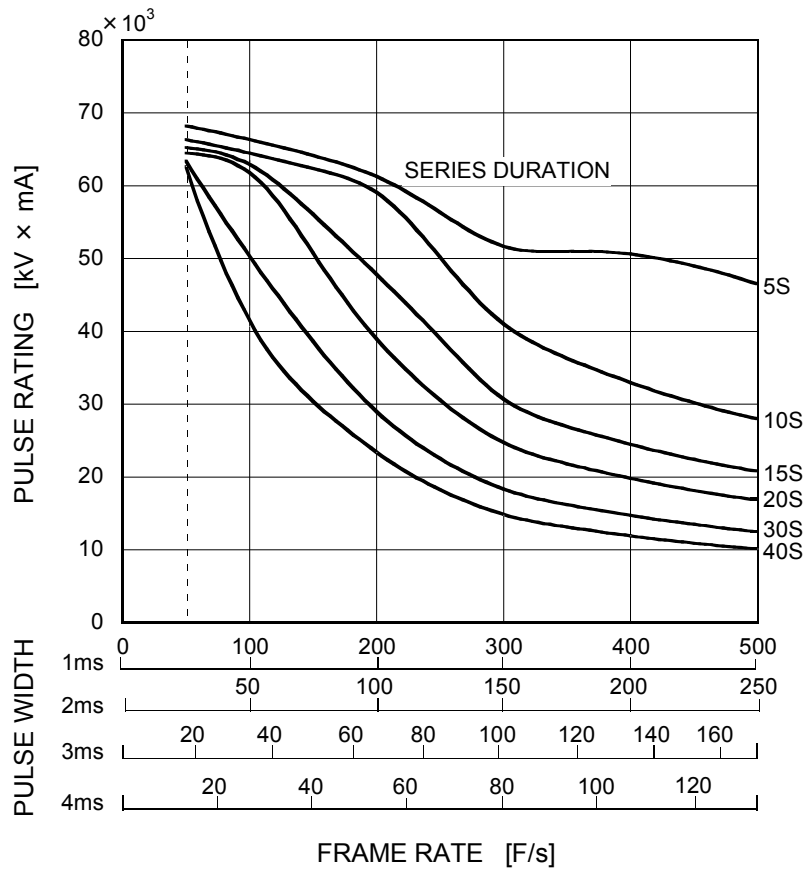
Equipment setting and calibration errors must be considered not to exceed the table values.

Note2) Refer to IEC60613:2010

Cine-fluorographic Rating Charts

Conditions: Constant Potential High-Voltage Generator
 Anode Rotation Speed 9000min⁻¹

Nominal Focal Spot Value: 1.0 ■



Note1) Do not exceed values in above table at all the time.

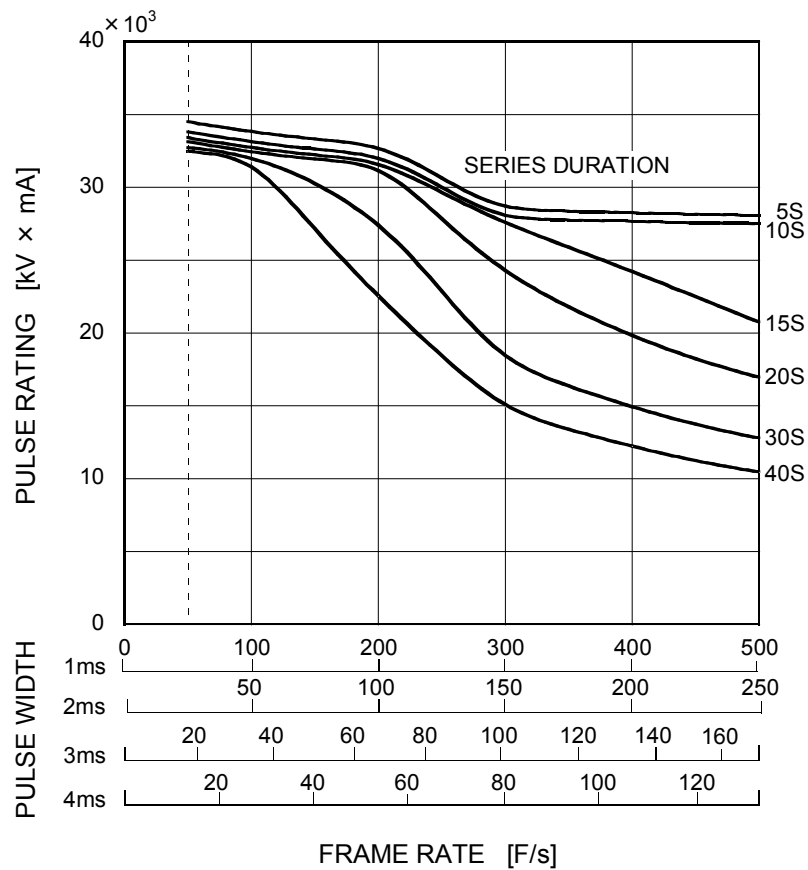
Equipment setting and calibration errors must be considered not to exceed the table values.

Note2) Refer to IEC60613:2010

Cine-fluorographic Rating Charts

Conditions: Constant Potential High-Voltage Generator
Anode Rotation Speed 9000min^{-1}

Nominal Focal Spot Value: 0.6 \blacksquare



Note1) Do not exceed values in above table at all the time.

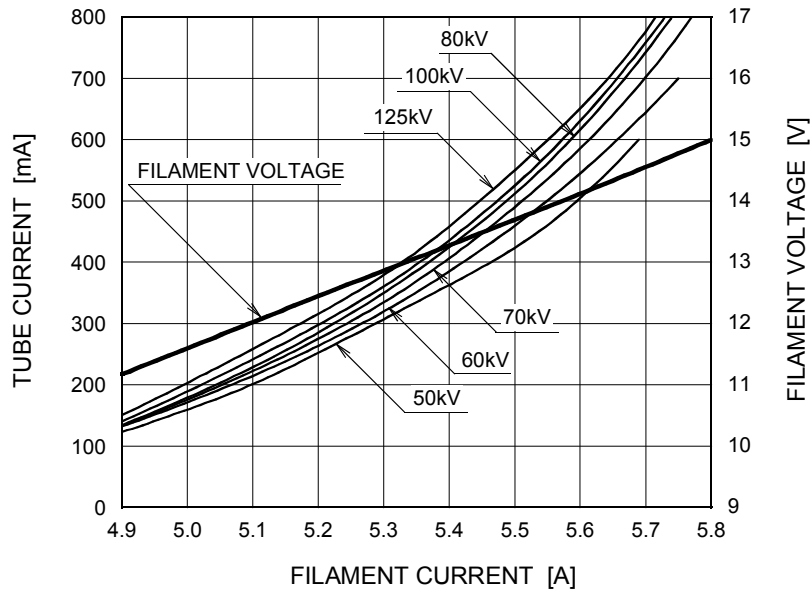
Equipment setting and calibration errors must be considered not to exceed the table values.

Note2) Refer to IEC60613:2010

Emission & Filament Characteristics (Typical Value)

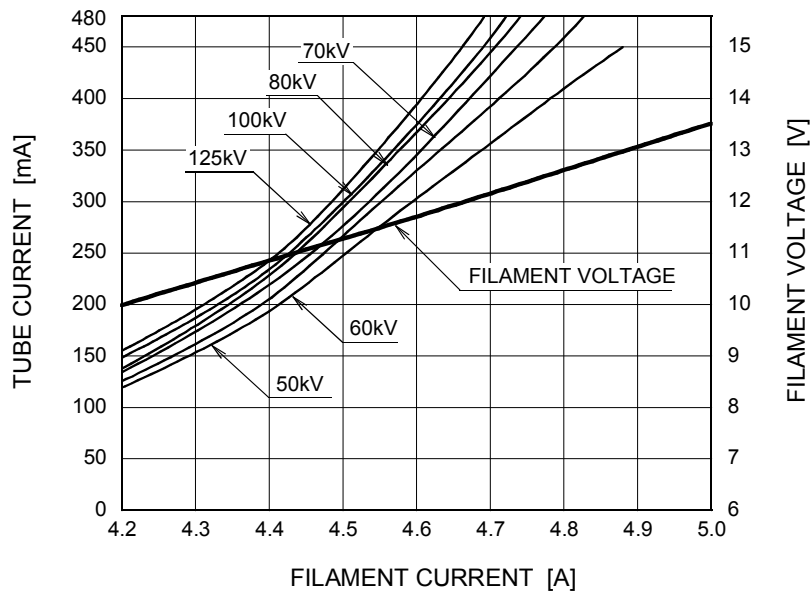
Constant Potential High-Voltage Generator

Nominal Focal Spot Value: 1.0 ■



Note1) For Reference Only
Note2) Refer to IEC60613:2010

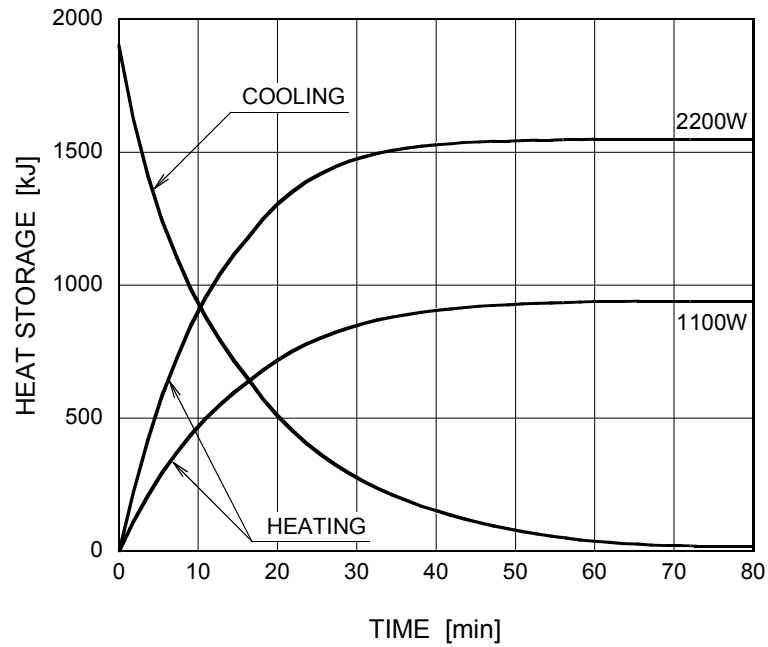
Nominal Focal Spot Value: 0.6 □



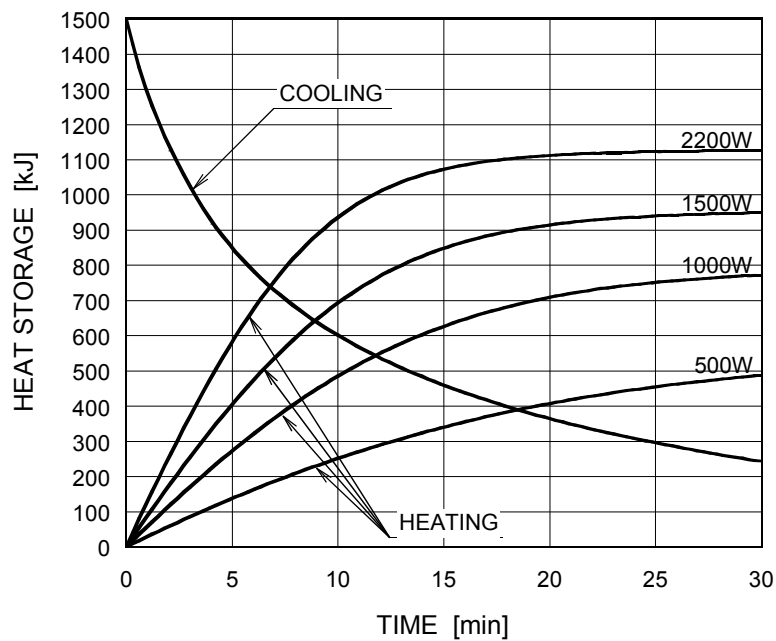
Note1) For Reference Only
Note2) Refer to IEC60613:2010

Thermal Characteristics

X-ray Tube Assembly Heating / Cooling Curve
(Environmental Temperature: 25°C)

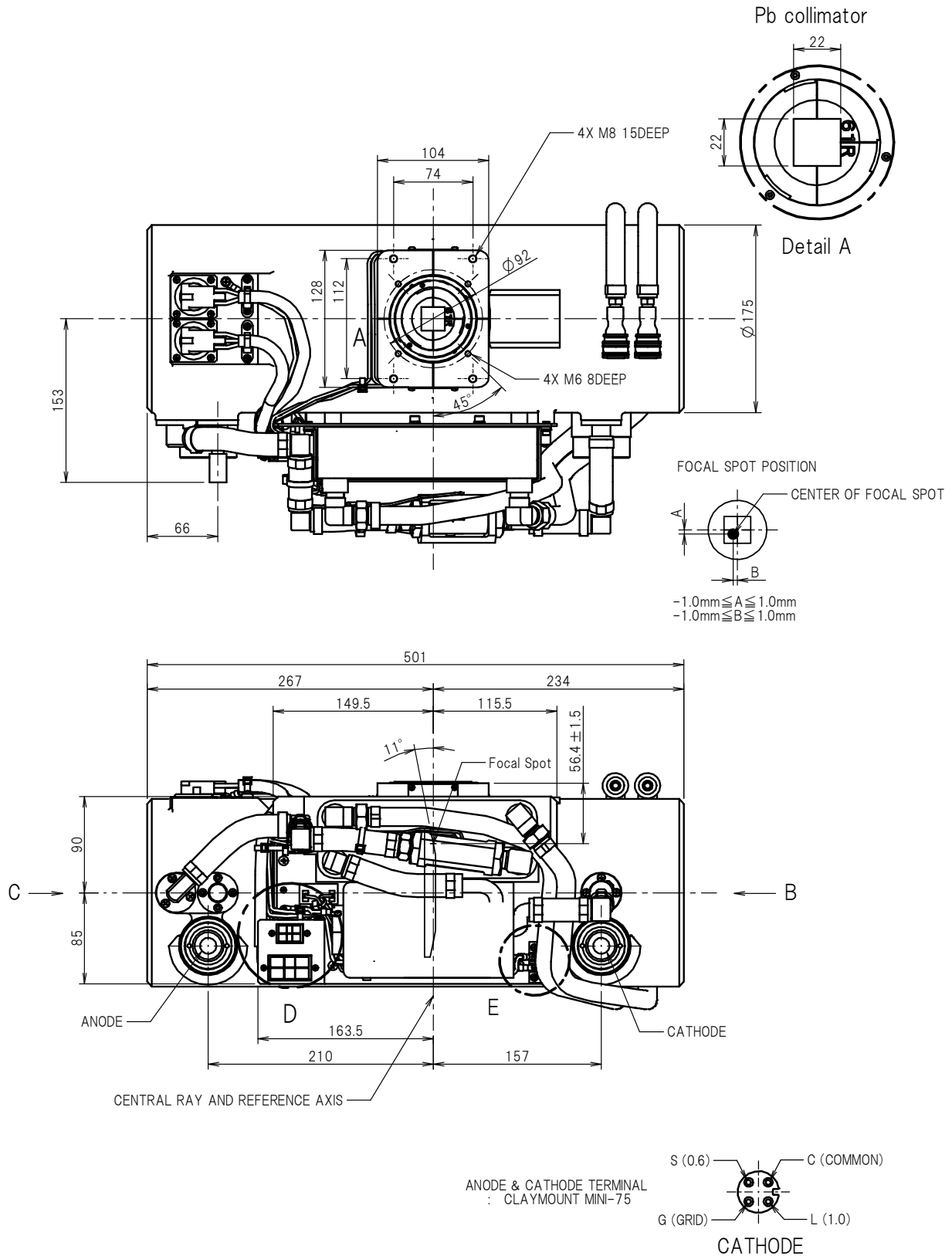


Anode Heating / Cooling Curve



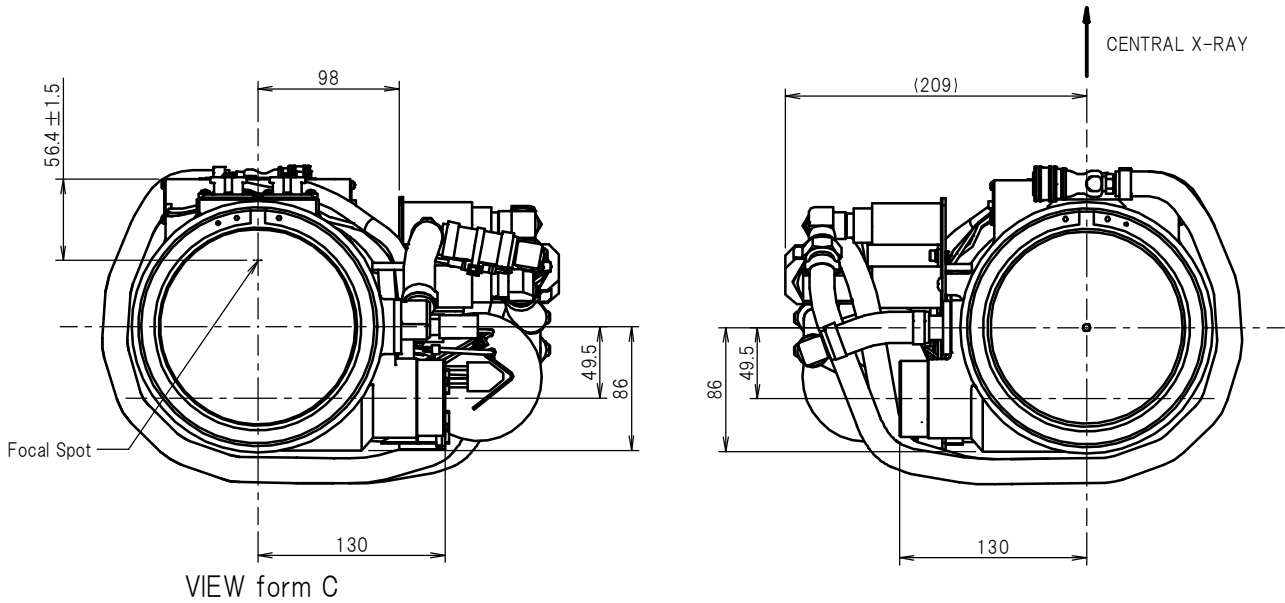
Dimensional Outline (1)

Unit: mm

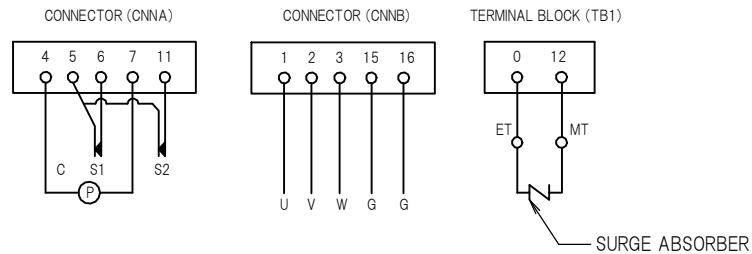
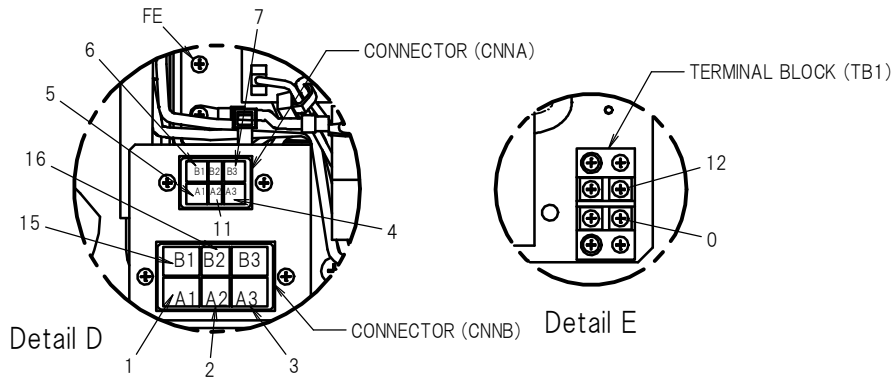


Dimensional Outline (2)

Unit: mm



LOW VOLTAGE WIRING DIAGRAM PORT TERMINAL CONFIGURATION



SYMBOL
 LOW VOLTAGE TARMINAL
 ET.....EARTH TERMINAL
 USTATOR U
 VSTATOR V
 WSTATOR W
 GGETTER
 MT.....METAL CENTER TERMINAL

PPUMP MOTOR (50/60Hz 100V)
 CTEMPERATURE RELAY COMMON
 S1.....TEMPERATURE RELAY 80°C(NORMALLY CLOSE)
 S2.....TEMPERATURE RELAY 70°C(NORMALLY CLOSE)
 FE.....FUNCTION EARTH TERMINAL

OVERSEAS SUBSIDIARIES AND AFFILIATES



EU REPRESENTATIVE

· **TOSHIBA ELECTRONICS EUROPE GMBH**

HANSAALLEE 181 40549 DÜSSELDORF, GERMANY
PHONE +49 (211) 5296-107 FAX +49 (211) 5296-402

For Sales & Technical Services, please contact the following representative:

· **TOSHIBA ELECTRONICS EUROPE GMBH**

HANSAALLEE 181 40549 DÜSSELDORF, GERMANY
PHONE +49 (211) 5296-107 FAX +49 (211) 5296-402

· **TOSHIBA AMERICA ELECTRONIC COMPONENTS, INC.**

2150 EAST LAKE COOK ROAD, SUITE 310
BUFFALO GROVE, ILLINOIS 60089 USA
PHONE +1 (847) 484-2400 FAX +1 (847) 541-7287

· **TOSHIBA ELECTRON DEVICES & MATERIALS (SHANGHAI) CO., LTD. (TEMS)**

RM1606, SH-PLAZA,
No.336, XIZANG ROAD (MIDDLE), SHANGHAI, 200001, CHINA
PHONE +86 (21) 6361-0077 FAX +86 (21) 6351-5760