


**ROTANODE™**  
E7255X  
E7255FX  0197  
E7255GX

**Rotating Anode X-ray Tube Assembly**

- ◆ High speed rotating anode X-ray tube assembly for high energy radiographic and cine-fluoroscopic operations.
- ◆ The heavy anode is constructed with specially processed Rhenium-tungsten faced molybdenum target which have an improved coating to increase thermal emissivity.
- ◆ These tubes have foci 1.2 and 0.6, and are available for a maximum tube voltage 150 kV.
- ◆ Accommodated with IEC60526 type high-voltage cable receptacles.



**General Data**

**IEC Classification (IEC60601-1:2005) ..... Class I ME EQUIPMENT**

**Electrical:**

Circuit:

High Voltage Generator ..... Constant Potential High-Voltage Generator  
Grounding ..... Center-grounded

Nominal X-ray Tube Voltage (IEC60613:2010):

Radiographic ..... 150 kV  
Fluoroscopic ..... 125 kV

Nominal Focal Spot Value (IEC60336:2005):

Large Focus ..... 1.2  
Small Focus ..... 0.6

Nominal Anode Input Power (at 0.1s):

	50 Hz	60 Hz	180 Hz
Large Focus .....	51 kW	60 kW	102 kW
Small Focus .....	18.5 kW	23 kW	40 kW

Nominal Radiographic Anode Input Power (IEC60613:2010):

	50 Hz	60 Hz	180 Hz
Large Focus .....	42 kW	46 kW	80 kW
Small Focus .....	16 kW	17 kW	31 kW

★The information contained herein is presented only as a guide for the applications of our products.  
No Responsibility is assumed by TOSHIBA ELECTRON TUBES & DEVICES CO.,LTD.(TETD) for any infringements of patents or other rights of the third parties which may result from its use. No license is granted by implication or otherwise under any patent or patent rights of TETD or others.  
★The information contained herein may be changed without prior notice. It is therefore advisable to contact TETD before proceeding with the design of equipment incorporating this product.

Motor Ratings:<sup>1)</sup>

Stator: XS-RB

		Starting		Running	
Driven Frequency	[Hz]	180	60	180	60
Input Power	[W]	3500	1520	90	80
Voltage <sup>3) 5)</sup>	[V]	490	300	165	160
Current <sup>4)</sup>	[A]	9.0	7.6	1.3	1.1
Min. Speed Up <sup>7)</sup>	[s]	2.0	1.0	-	-
Capacitor	[μF]	6	30	6	30
Min. Braking <sup>3) 7)</sup>	[s]	2.5 s / 300 V (DC)			

Note: 1) This table is an example of recommendable ratings which are measured with the AID starter model RC103. If you drive the tube with different conditions, please check with Toshiba X-ray tube engineering.

2) To be applied for high speed rotation.

3) Applied voltage between common and main terminal.

4) Common current.

5) The every applied voltage must be never exceeded 110% of the above specification.

6) No more than two high speed starts per minute are permissible.

7) The speed-up and braking time are allowed up to 110% of the above specification.

Anode Speed:

50 Hz .....	Minimum 2700 min <sup>-1</sup>
60 Hz .....	Minimum 3200 min <sup>-1</sup>
180 Hz .....	Minimum 9700 min <sup>-1</sup>

Stator Resistance:

Common-Main Winding .....	20.2Ω
Common-Auxiliary Winding .....	38.0Ω
Resistance between Housing and Low Voltage Terminals .....	Minimum 2 MΩ
Normal Operating Range of the Housing Temperature .....	16 ~ 75 °C
Thermal Switch .....	Normally Closed
Open .....	75 ~ 85 °C
Closed .....	45 ~ 65 °C
Mode of Operation .....	Intermittent

**Mechanical:**

Dimensions .....	See dimensional outline
Overall Length .....	463 mm
Maximum Diameter .....	172 mm
Target:	
Anode Angle .....	12 degrees
Diameter .....	100 mm
Construction .....	Rhenium-Tungsten faced Molybdenum
Filtration:	
Permanent Filtration .....	0.8 mm Al / 75 kV IEC60522:1999
Available Additional Filter combination (0.4 - 1.5 mm) .....	Maximum 2.3 mm Al / 75 kV
Radiation Protection (In accordance with IEC60601-1-3:2008):	
Leakage Technique Factor .....	150 kV, 5 mA
X-ray Coverage .....	430 × 430 mm at SID 1000 mm
Weight (Approx.) .....	20 kg
High Voltage Receptacle .....	To meet the requirements of IEC60526 Corrigendum1:2010
Cooling Method .....	Natural or forced air
Tube Housing Model Number .....	XH-157

## Absolute Maximum and Minimum Ratings (At any time, these values must not be exceeded.)

Maximum X-ray Tube Voltage (IEC60613:2010):	
Radiographic .....	150 kV
Fluoroscopic .....	125 kV
Between Anode (or Cathode) and Ground .....	75 kV
Minimum X-ray Tube Voltage .....	40 kV
Maximum X-ray Tube Current (IEC60613:2010) .....	
Large Focus .....	See rating charts
Small Focus .....	1000 mA
Small Focus .....	500 mA
Maximum Filament Current:	
Large Focus .....	5.5 A
Small Focus .....	5.2 A
Filament Voltage:	
Large Focus (At maximum filament current 5.5 A) .....	12.7 ~ 17.1 V
Small Focus (At maximum filament current 5.2 A) .....	7.0 ~ 9.4 V
Filament Frequency Limits .....	0 ~ 25 kHz
Continuous Anode Input Power (IEC60613:2010) .....	300 W (423 HU/s)
(Fluoroscopic, repeated radiographic or mixed exposure)	
Thermal Characteristics:	
Anode Heat Content .....	210 kJ (300 kHU)
Maximum Anode Heat Dissipation .....	710 W (1000HU/s)
X-ray Tube Assembly Heat Content .....	950 kJ (1339 kHU)
Nominal Continuous Input Power (IEC60613:2010):	
Without Air-circulator .....	200 W (16 kHU/min)

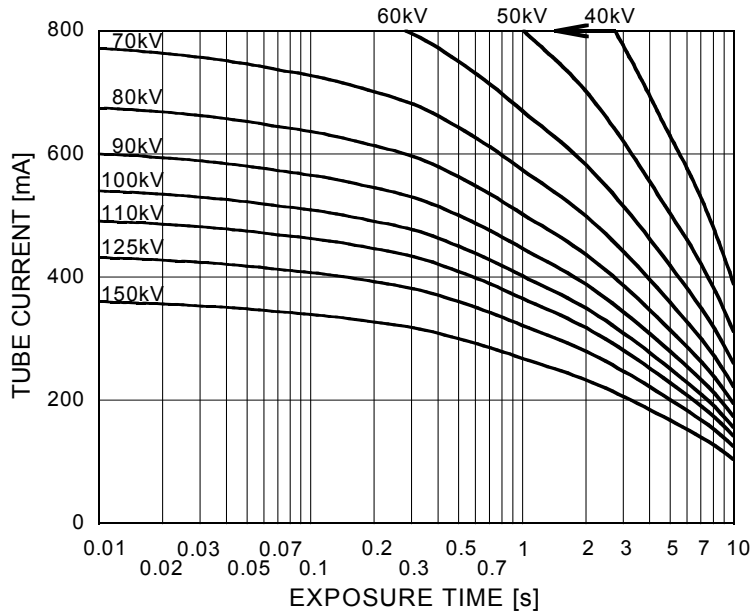
## Environmental Limits

Operating Limits:	
Temperature .....	10 ~ 40 °C
Humidity .....	30 ~ 85 %
	(No condensation)
Atmospheric Pressure .....	70 ~ 106 kPa
Shipping and Storage Limits:	
Temperature .....	-20 ~ 70 °C
Humidity .....	20 ~ 90 %
	(No condensation)
Atmospheric Pressure .....	50 ~ 106 kPa

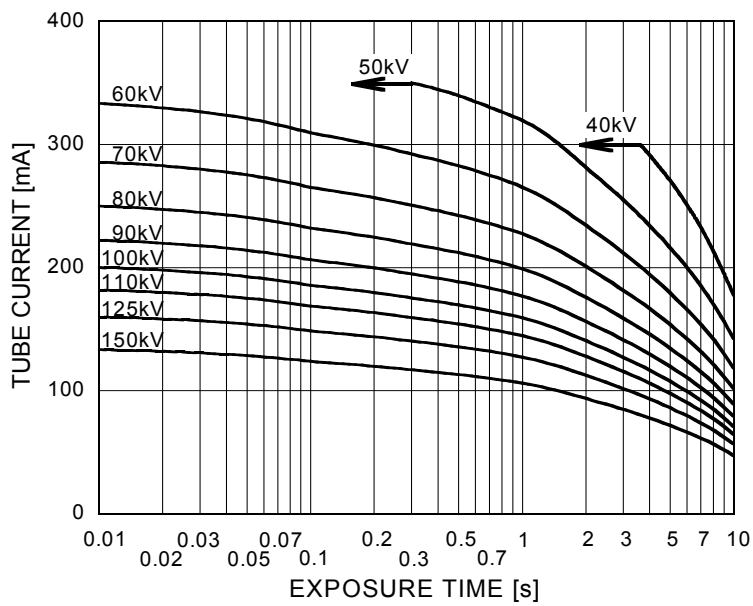
## Maximum Rating Charts (Absolute Maximum Rating Charts)

Conditions: Tube Voltage  
Constant Potential High-Voltage Generator  
Stator Power Frequency 50 Hz

Nominal Focal Spot Value: 1.2 ■



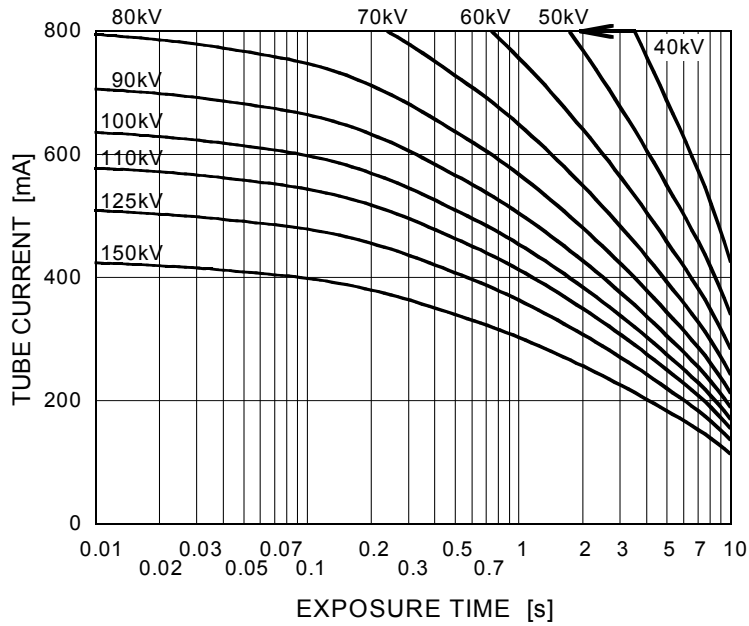
Nominal Focal Spot Value: 0.6 □



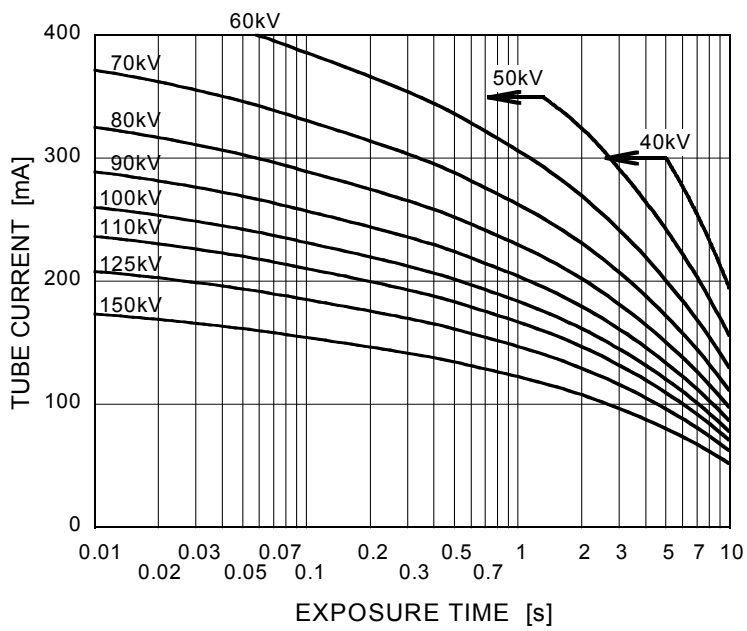
## Maximum Rating Charts (Absolute Maximum Rating Charts)

Conditions: Tube Voltage  
Constant Potential High-Voltage Generator  
Stator Power Frequency 60 Hz

Nominal Focal Spot Value: 1.2 ■



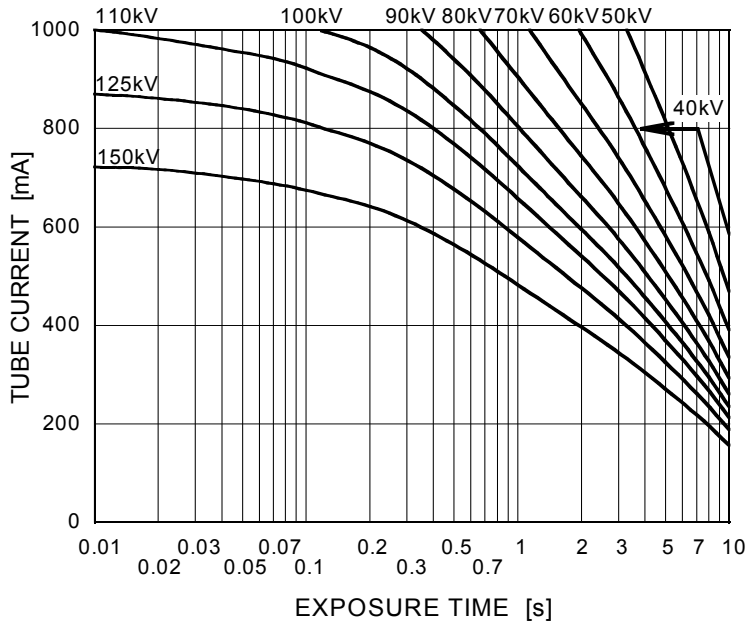
Nominal Focal Spot Value: 0.6 □



## Maximum Rating Charts (Absolute Maximum Rating Charts)

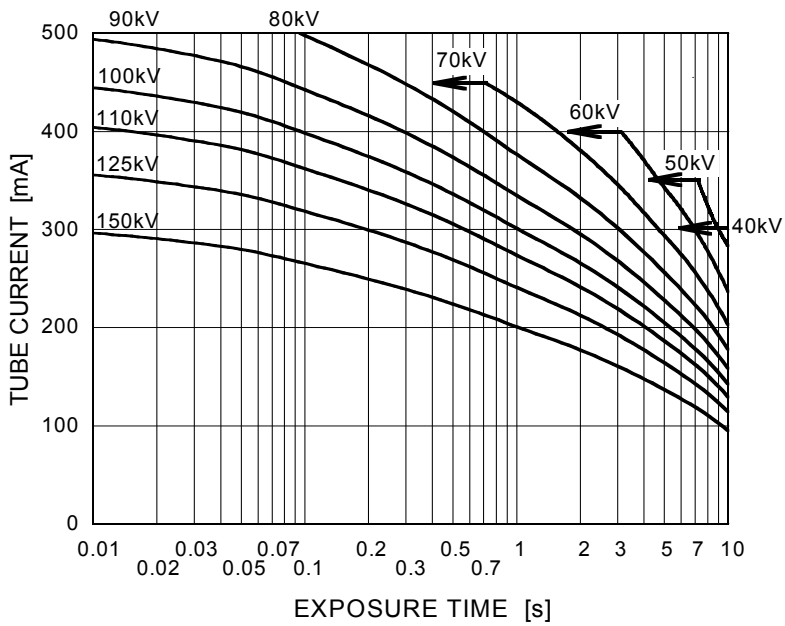
Conditions: Tube Voltage  
Constant Potential High-Voltage Generator  
Stator Power Frequency 180 Hz

Nominal Focal Spot Value: 1.2 ■



Refer to IEC60613:2010

Nominal Focal Spot Value: 0.6 □

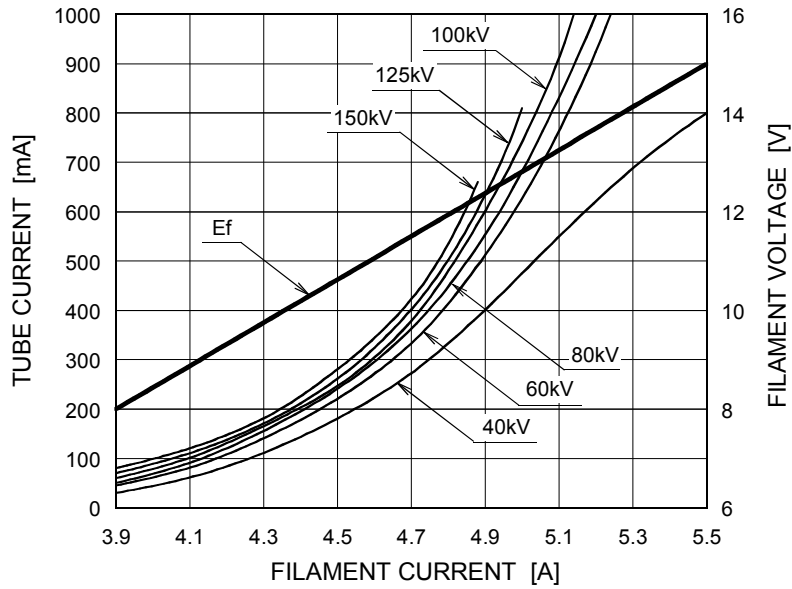


Refer to IEC60613:2010

## Emission & Filament Characteristics

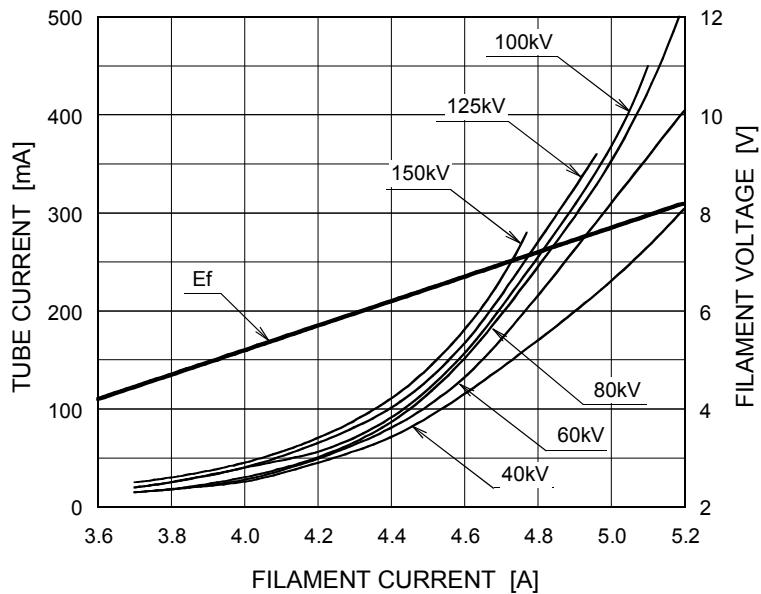
Constant Potential High-Voltage Generator

Nominal Focal Spot Value: 1.2 ■



Note1) For Reference Only  
 Note2) Refer to IEC60613:2010

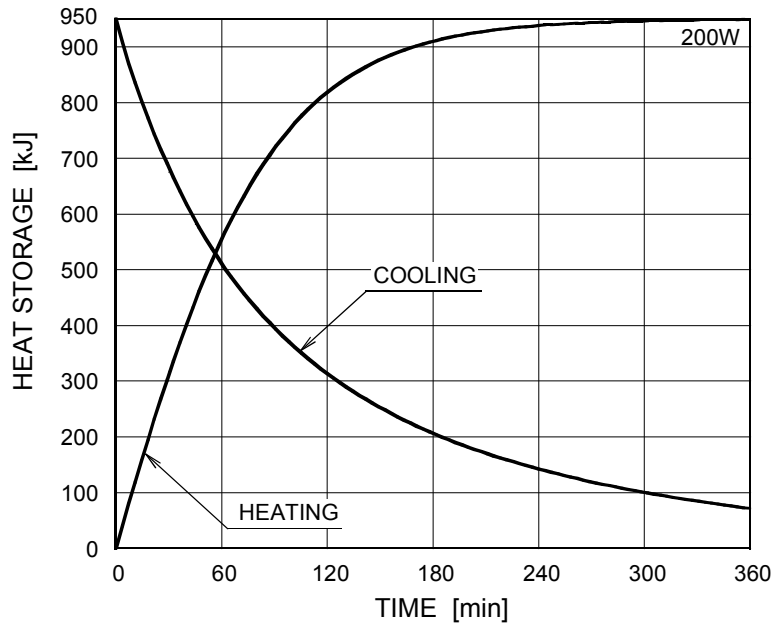
Nominal Focal Spot Value: 0.6 □



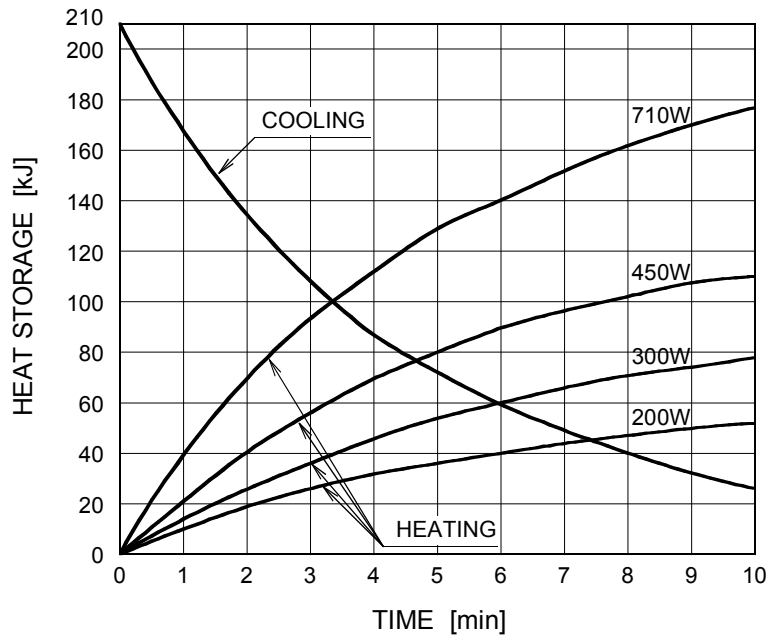
Note1) For Reference Only  
 Note2) Refer to IEC60613:2010

## Thermal Characteristics

X-ray Tube Assembly Heating / Cooling Curve



Anode Heating / Cooling Curve

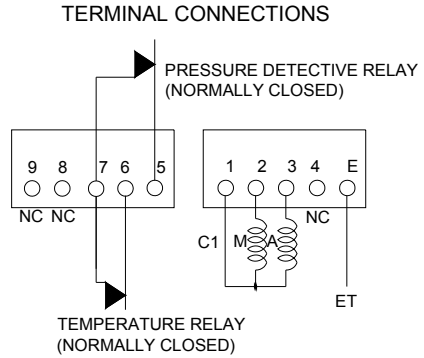
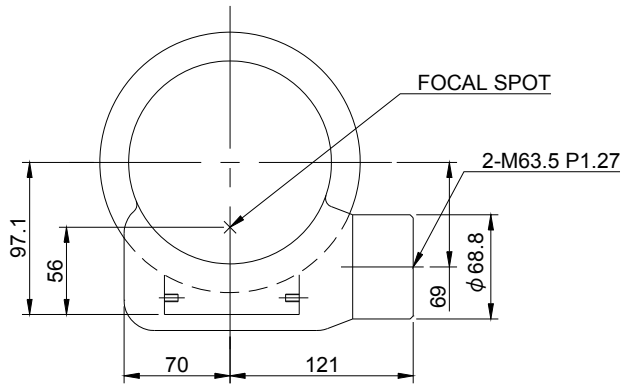


The heating curves are showing examples of average input power to the anode in operation.



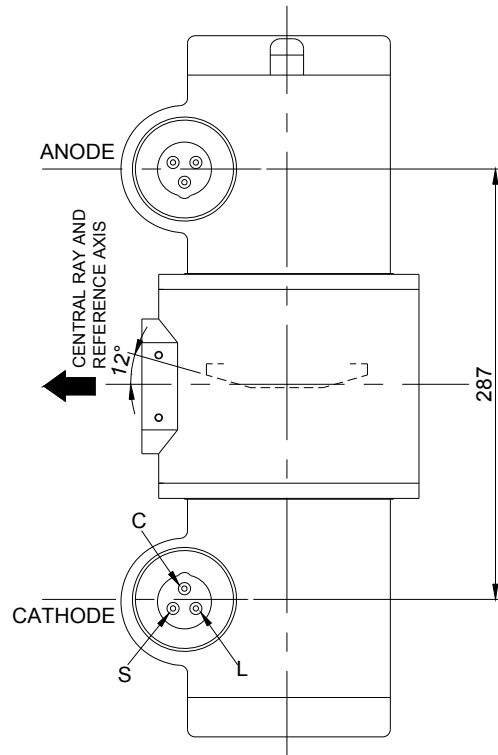
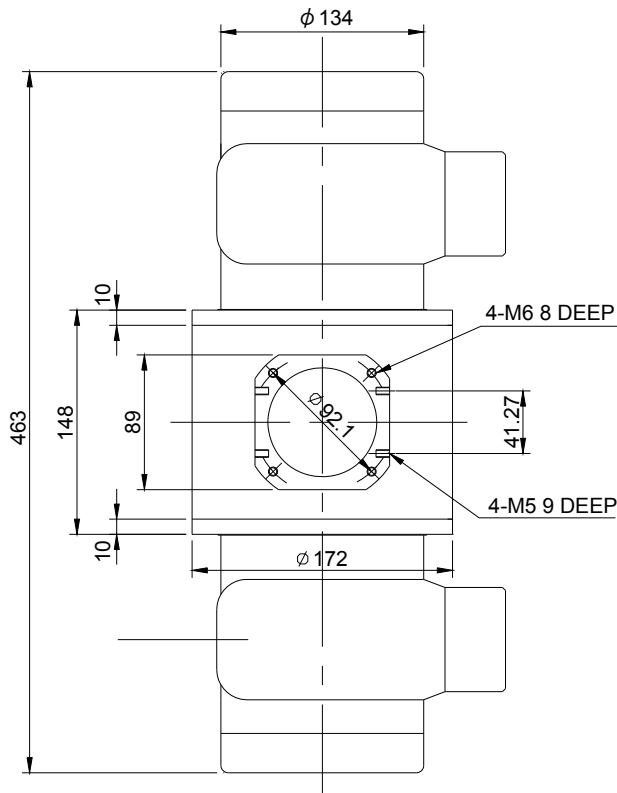
## Dimensional Outline of E7255X

Unit mm



Note

- 1) Make an input-power protection circuit with the terminals No.5 and No.6.
- 2) Do not connect terminal No.1 and No.5 or 6 in series circuit.



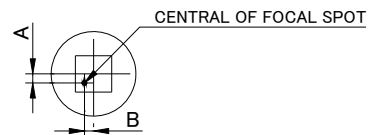
### EXPLANATION OF SYMBOLS

#### CATHODE TERMINAL

- C : COMMON
- L : LARGE FOCUS
- S : SMALL FOCUS

#### TERMINAL CONNECTIONS

- C1 : COMMON
- M : MAIN WINDING OF THE STATOR
- A : AUX. WINDING OF THE STATOR
- NC : NON-CONNECTION
- ET : EARTH TERMINAL



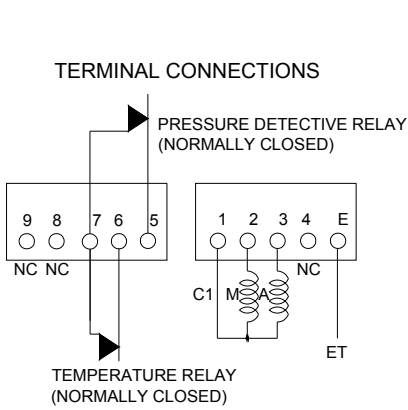
$$-1.5\text{mm} \leq A \leq 1.5\text{mm}$$

$$-1.5\text{mm} \leq B \leq 1.5\text{mm}$$

- ▲ : CENTRAL X-RAY ANODE & CATHODE TERMINAL : IEC60526 TYPE

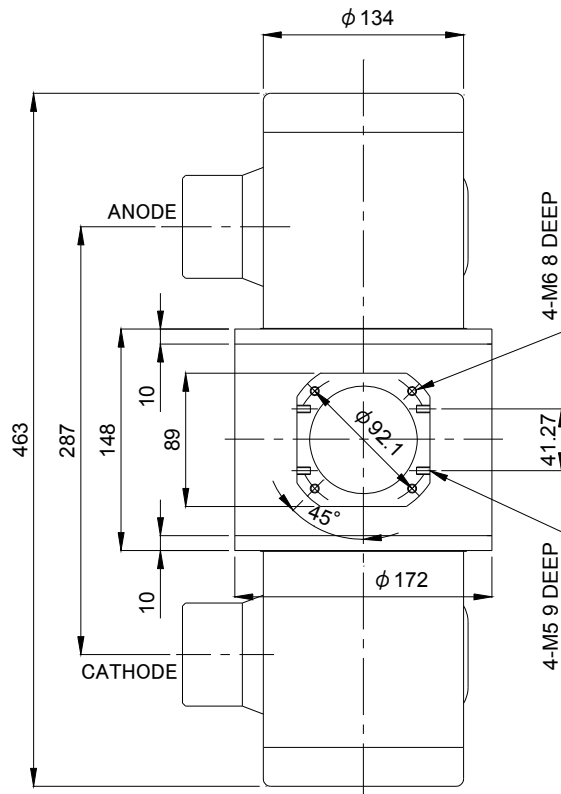
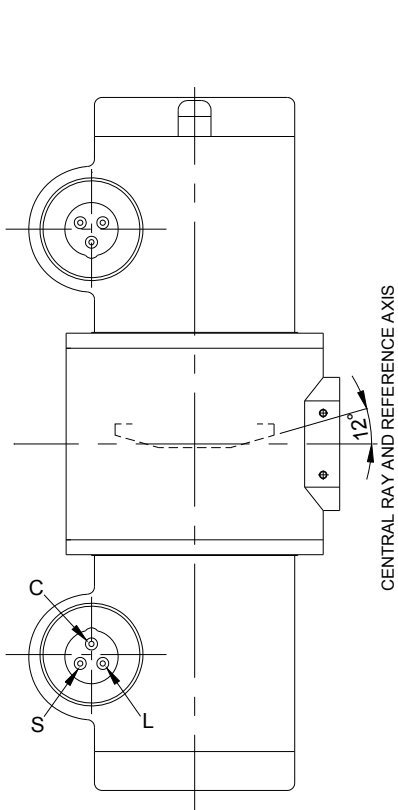
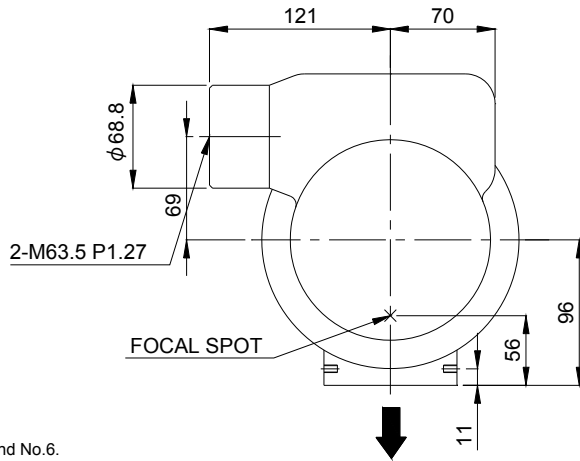
## Dimensional Outline of E7255FX

Unit mm



Note

- 1) Make an input-power protection circuit with the terminals No.5 and No.6.
- 2) Do not connect terminal No.1 and No.5 or 6 in series circuit.



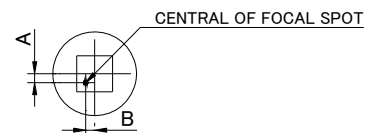
### EXPLANATION OF SYMBOLS

#### CATHODE TERMINAL

- C : COMMON
- L : LARGE FOCUS
- S : SMALL FOCUS

#### TERMINAL CONNECTIONS

- C1 : COMMON
- M : MAIN WINDING OF THE STATOR
- A : AUX. WINDING OF THE STATOR
- NC : NON-CONNECTION
- ET : EARTH TERMINAL



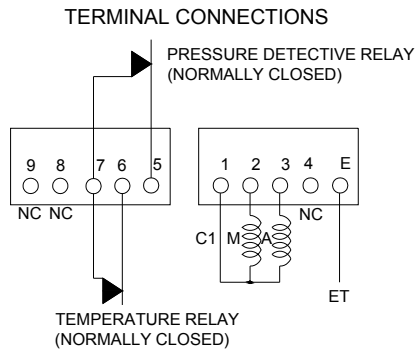
$$-1.5\text{mm} \leq A \leq 1.5\text{mm}$$

$$-1.5\text{mm} \leq B \leq 1.5\text{mm}$$

- ▲ : CENTRAL X-RAY
- ANODE & CATHODE TERMINAL
- : IEC60526 TYPE

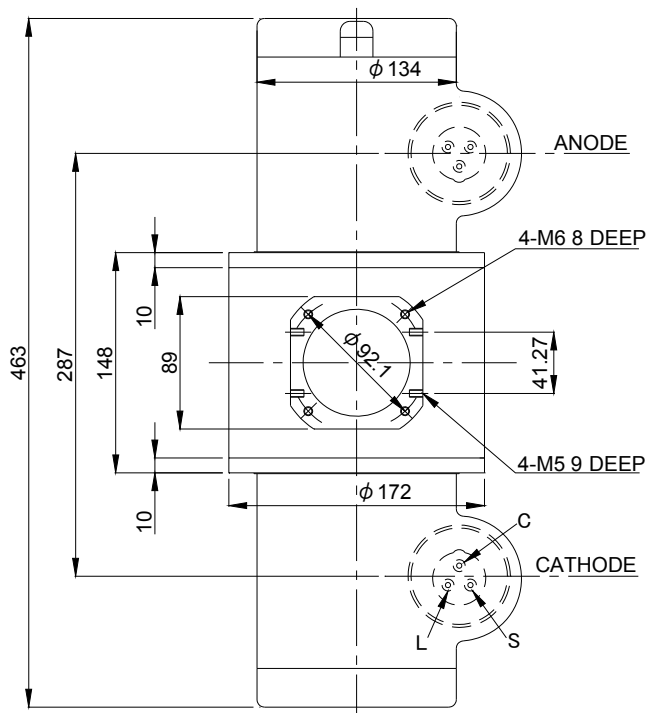
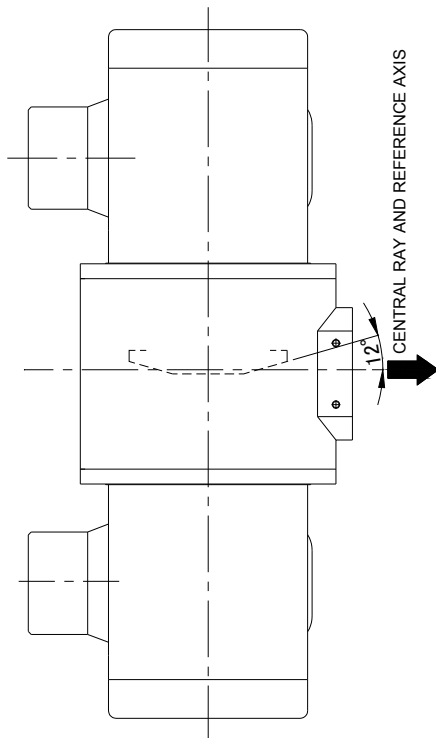
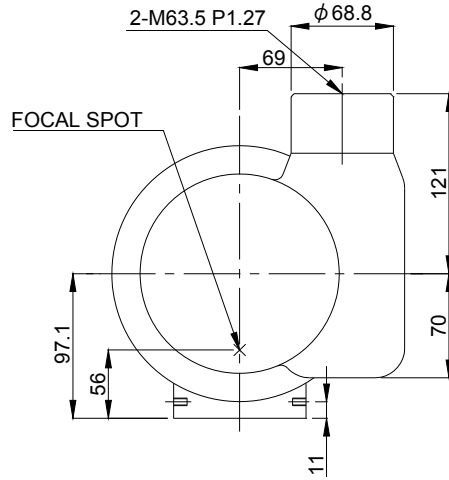
## Dimensional Outline of E7255GX

Unit mm



**Note**

- 1) Make an input-power protection circuit with the terminals No.5 and No.6.
- 2) Do not connect terminal No.1 and No.5 or 6 in series circuit.



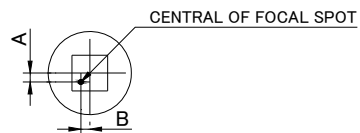
**EXPLANATION OF SYMBOLS**

**CATHODE TERMINAL**

- C : COMMON
- L : LARGE FOCUS
- S : SMALL FOCUS

**TERMINAL CONNECTIONS**

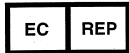
- C1 : COMMON
- M : MAIN WINDING OF THE STATOR
- A : AUX. WINDING OF THE STATOR
- NC : NON-CONNECTION
- ET : EARTH TERMINAL



- $-1.5\text{mm} \leq A \leq 1.5\text{mm}$
- $-1.5\text{mm} \leq B \leq 1.5\text{mm}$

- ▲: CENTRAL X-RAY
- ANODE & CATHODE TERMINAL
- : IEC60526 TYPE

## OVERSEAS SUBSIDIARIES AND AFFILIATES



### EU REPRESENTATIVE

#### ·TOSHIBA ELECTRONICS EUROPE GMBH

HANSAALLEE 181 40549 DÜSSELDORF, GERMANY  
PHONE +49 (211) 5296-107      FAX +49 (211) 5296-402

**For Sales & Technical Services, please contact the following representative:**

#### ·TOSHIBA ELECTRONICS EUROPE GMBH

HANSAALLEE 181 40549 DÜSSELDORF, GERMANY  
PHONE +49 (211) 5296-107      FAX +49 (211) 5296-402

#### ·TOSHIBA AMERICA ELECTRONIC COMPONENTS, INC.

2150 EAST LAKE COOK ROAD, SUITE 310  
BUFFALO GROVE, ILLINOIS 60089 USA  
PHONE +1 (847) 484-2400      FAX +1 (847) 541-7287

#### ·TOSHIBA ELECTRON DEVICES & MATERIALS (SHANGHAI) CO., LTD. (TEMS)

RM1606, SH-PLAZA,  
No.336, XIZANG ROAD (MIDDLE), SHANGHAI, 200001, CHINA  
PHONE +86 (21) 6361-0077      FAX +86 (21) 6351-5760



### **TOSHIBA ELECTRON TUBES & DEVICES CO., LTD.** (Product Development Engineering Department)

1385 SHIMOISHIGAMI, OTAWARA-SHI, TOCHIGI-KEN, 324-8550, JAPAN  
PHONE: +81-287-26-6666      FAX: +81-287-26-6060  
<http://www.toshiba-tetd.co.jp/>

·Toshiba Electron Tubes & Devices Co., Ltd. meets the Environmental Management System Standard, ISO14001.  
·Toshiba Electron Tubes & Devices Co., Ltd. meets internationally recognized Standards for Quality Management System ISO9001, ISO13485.