

**TOSHIBA X-RAY TUBE**  
**D-063 / D-063R / D-063S / D-063SR**

**Stationary Anode X-ray Tube**

- ◆ Especially designed for mobile type surgical X-ray TV apparatus.
- ◆ Provided with an insulation cylinder. (D-063S / D-063SR)
- ◆ These tubes have focus 0.6, and are available for maximum tube voltage 110 kV.

**General Data**

**Application** ..... **Diagnostic Radiography for Mobile C-arm**

**Electrical:**

Circuit:  
 High Voltage Circuit ..... Constant Potential High-Voltage Generator  
 Grounding ..... Center-Grounded  
 Nominal X-ray Tube Voltage ..... 110 kV  
 Nominal Focal Spot Value ..... 0.6  
 Nominal Anode Input Power (at 1.0s) ..... 2020 W  
 Exposure Duty Cycle ..... 1:60 or more  
 (Exposure Time : interval time)

**Mechanical:**

Dimensions:  
 Overall Length ..... See dimensional outline  
 Maximum Diameter ..... See dimensional outline  
 Target:  
 Anode Angle ..... 8 degrees  
 Material ..... Tungsten  
 Inherent Filtration ..... At least 0.8 mm Al at 50 kV  
 X-ray Coverage .....  $\phi$  245 mm at SID 970 mm  
 Weight:  
 D-063 ..... Approx. 320 g  
 D-063R ..... Approx. 440 g  
 D-063S ..... Approx. 450 g  
 D-063SR ..... Approx. 570 g

★The information contained herein is presented only as a guide for the applications of our products.  
 No Responsibility is assumed by TOSHIBA ELECTRON TUBES & DEVICES CO.,LTD.(TETD) for any infringements of patents or other rights of the third parties which may result from its use. No license is granted by implication or otherwise under any patent or patent rights of TETD or others.  
 ★The information contained herein may be changed without prior notice. It is therefore advisable to contact TETD before proceeding with the design of equipment incorporating this product.



## Environmental Limits

Operating Limits (in dielectric oil):

Oil Temperature ..... 10 ~ 60 °C

Oil Pressure ..... 70 ~ 140 kPa

Shipping and Storage Limits:

Temperature ..... -40 ~ 70 °C

Humidity ..... 10 ~ 90 %

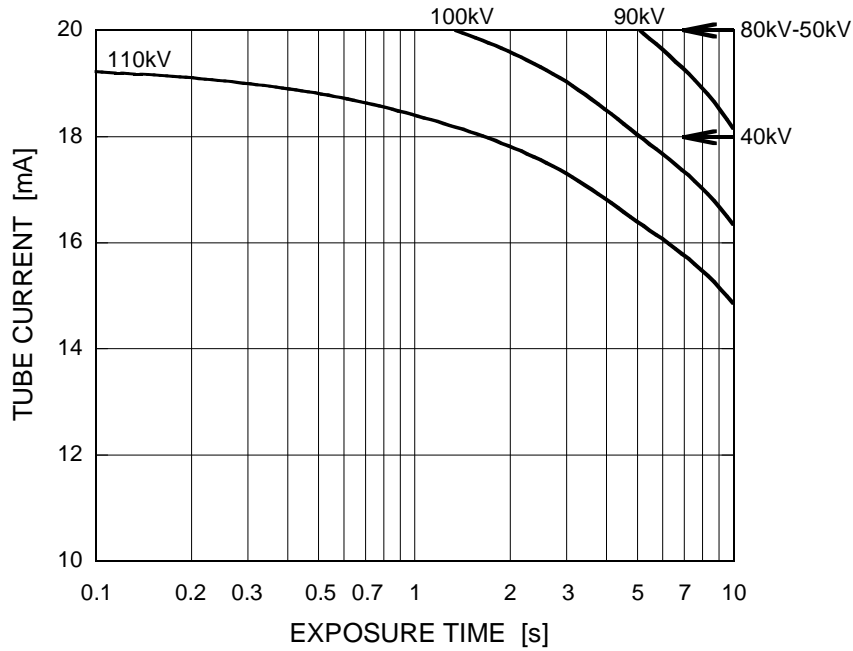
(No condensation)

Atmospheric Pressure ..... 50 ~ 106 kPa

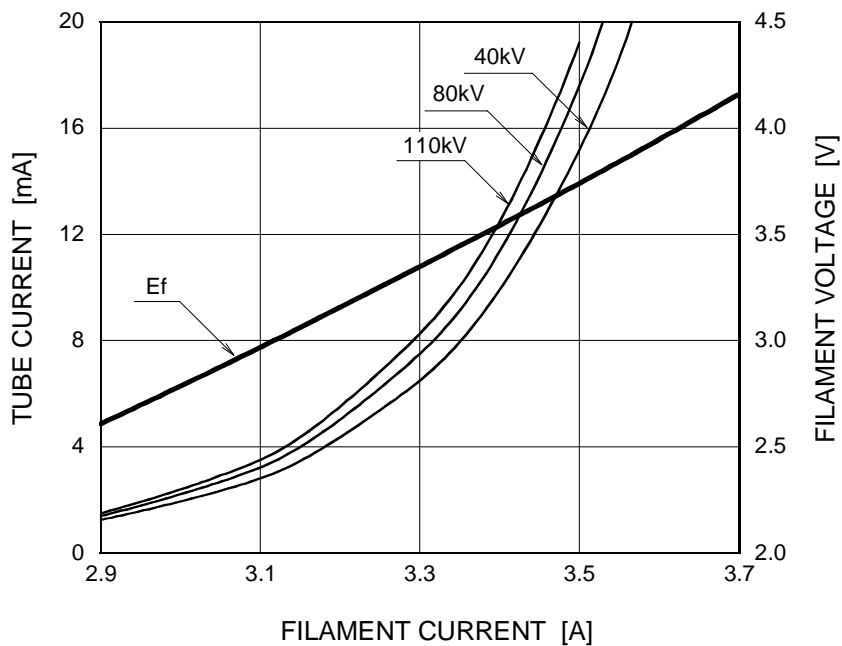
## Maximum Rating Charts (Absolute maximum rating charts)

Constant Potential High-Voltage Generator

Nominal Focal Spot Value: 0.6



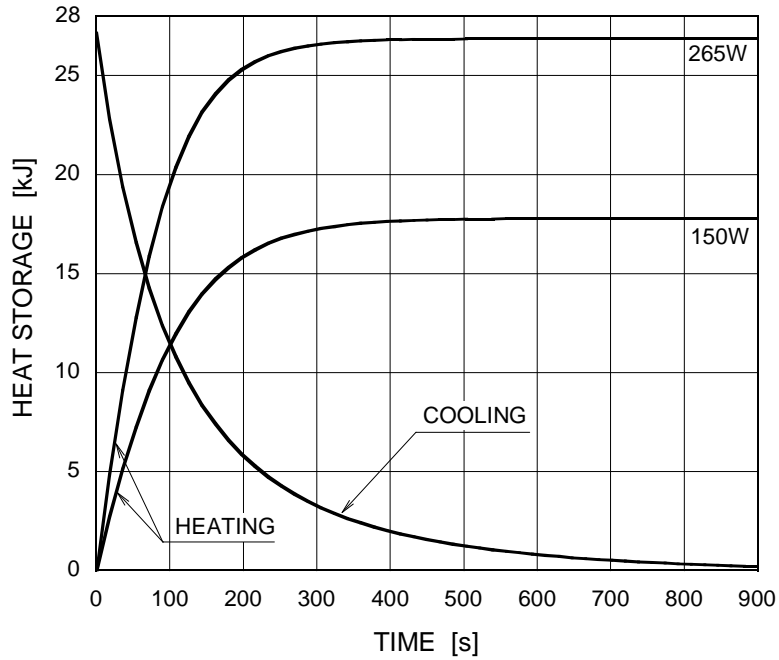
## Filament & Emission Characteristics



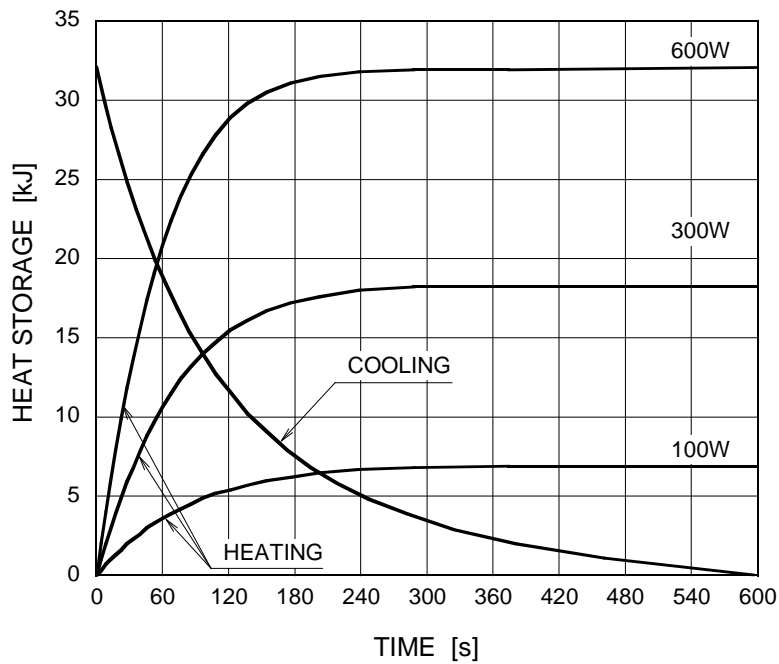
Note: This graph indicates typical characteristics.

### Anode Heating / Cooling Curve

D-063 / D-063S

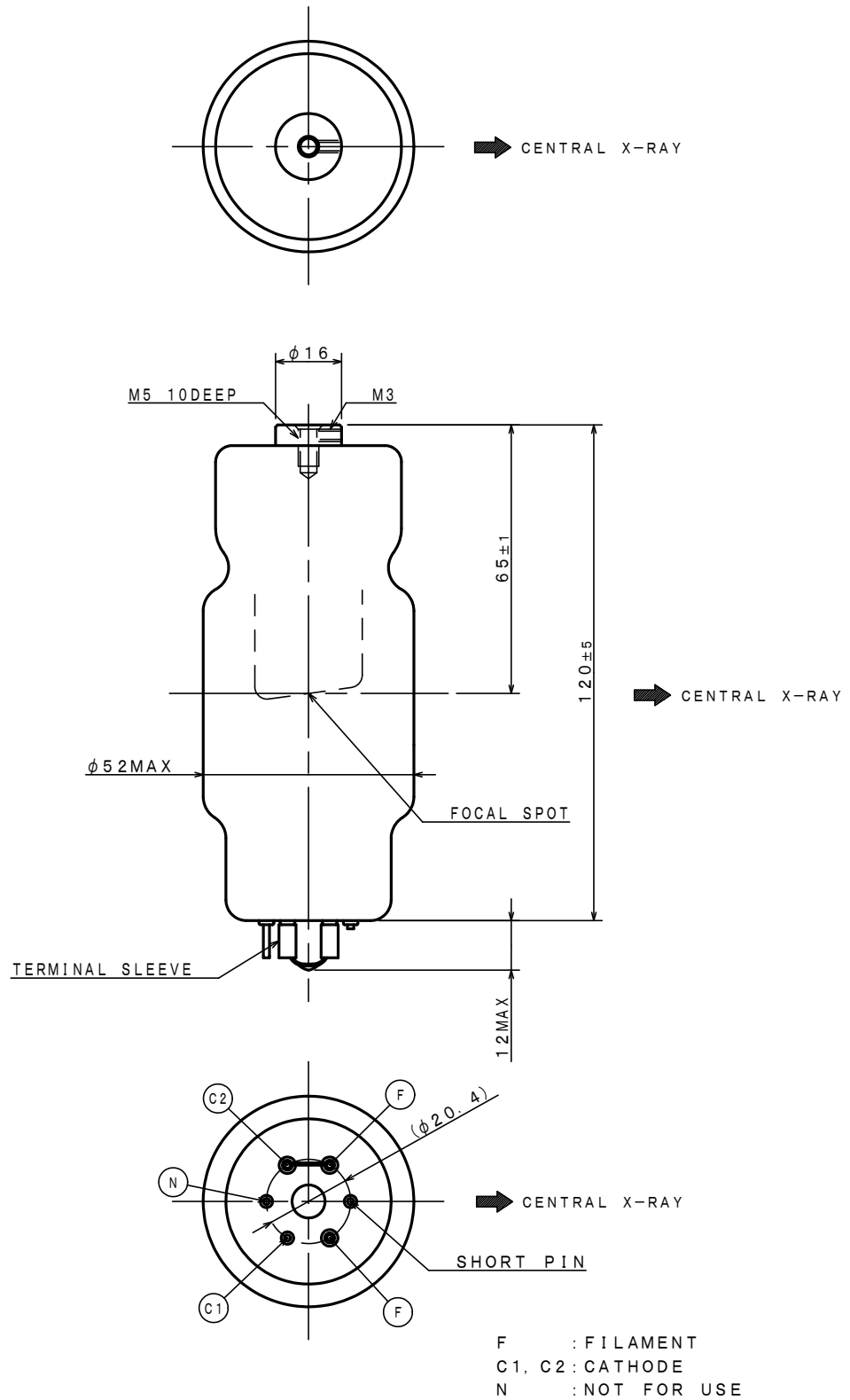


D-063R / D-063SR



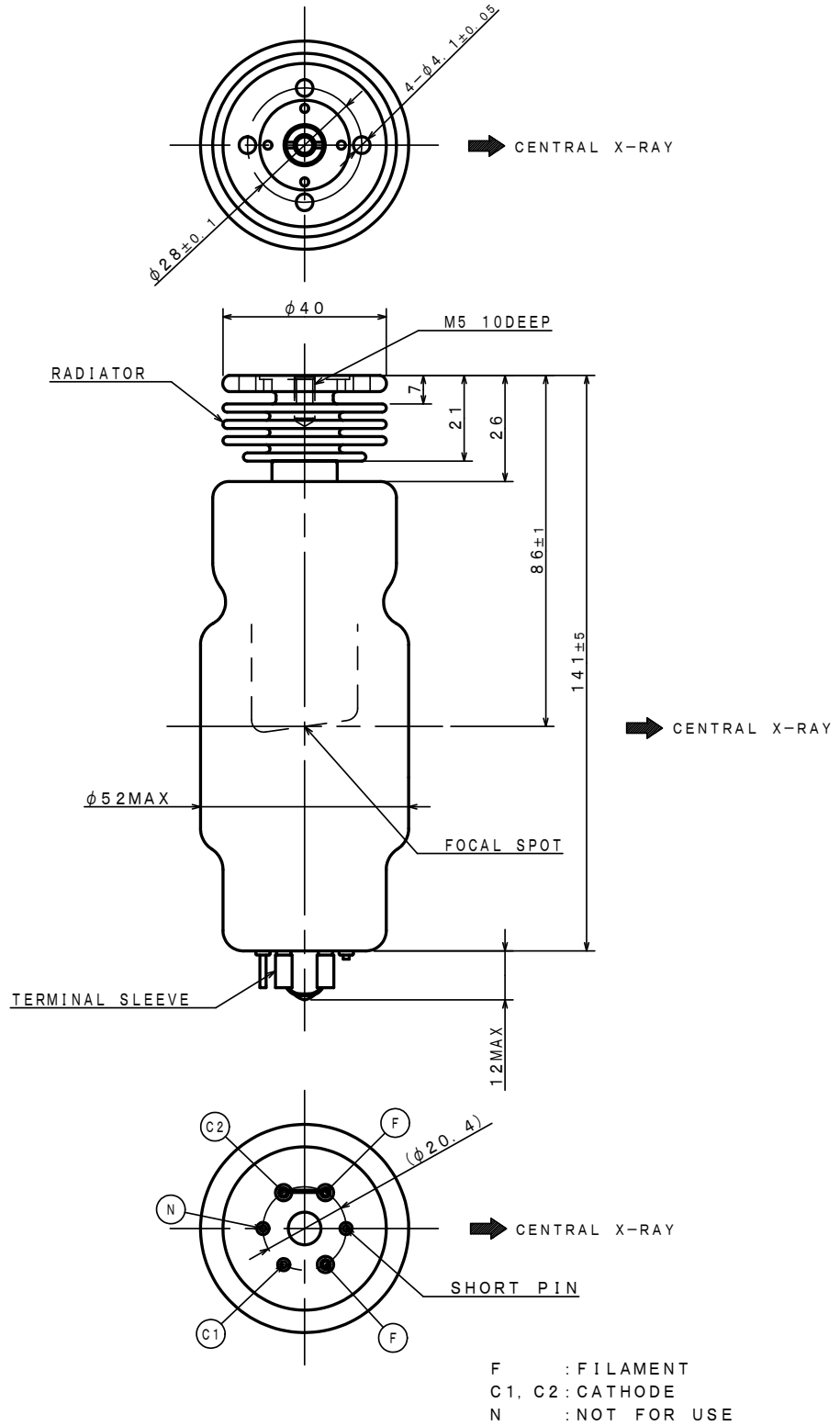
### Dimensional Outline of D-063

Unit: mm



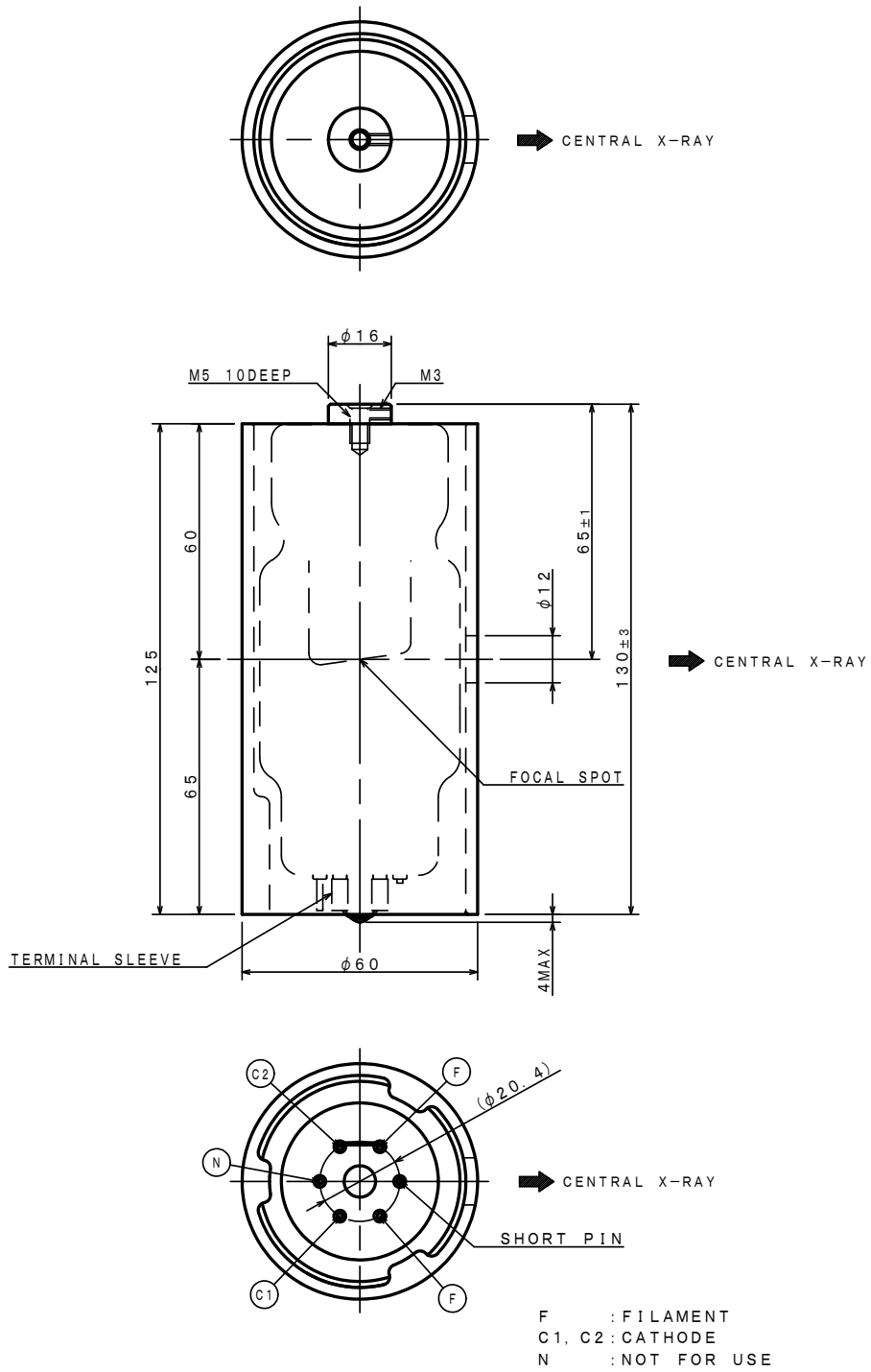
### Dimensional Outline of D-063R

Unit: mm



### Dimensional Outline of D-063S

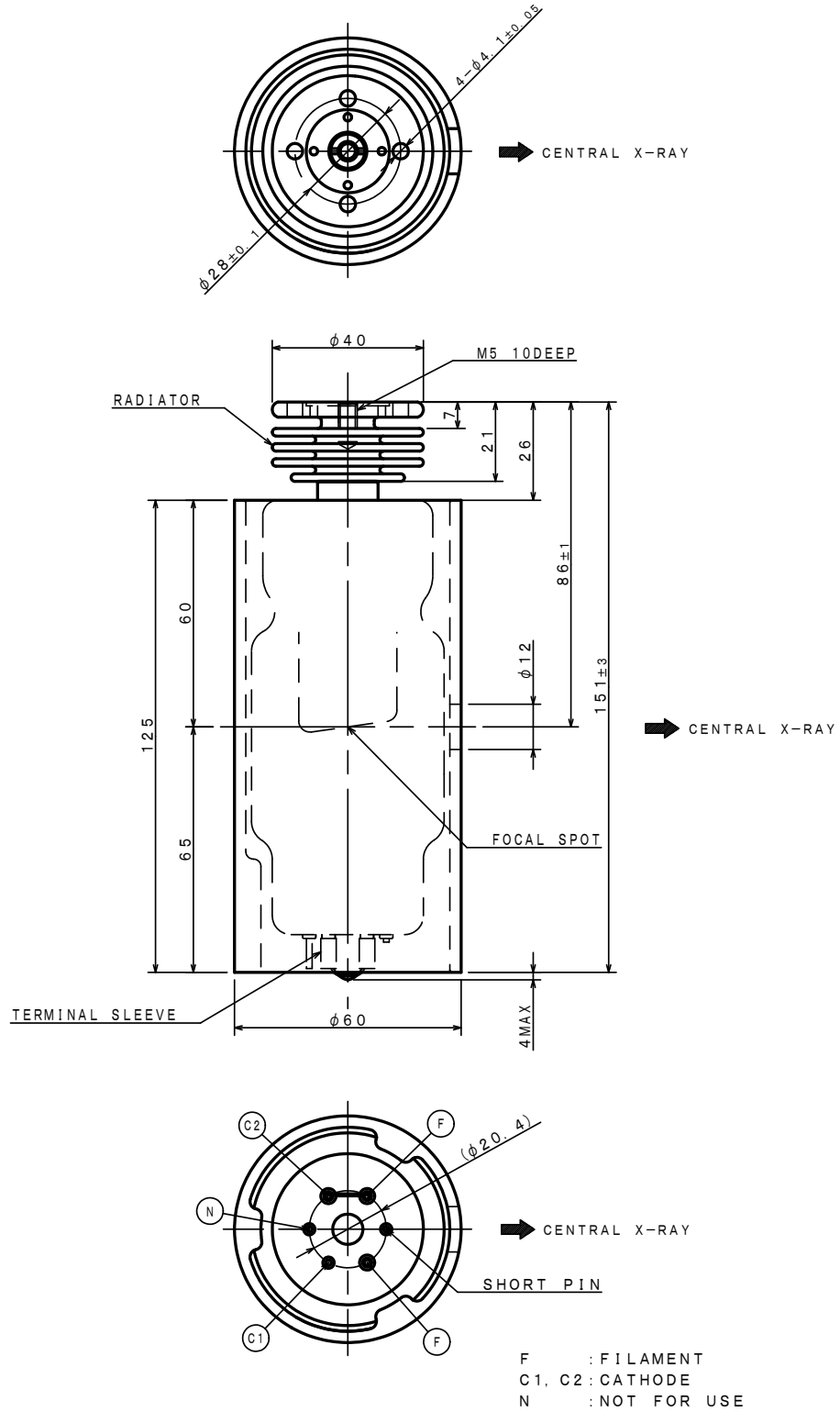
Unit: mm





### Dimensional Outline of D-063SR

Unit: mm



## OVERSEAS SUBSIDIARIES AND AFFILIATES

### EU REPRESENTATIVE

#### ·TOSHIBA ELECTRONICS EUROPE GMBH

HANSAALLEE 181 40549 DÜSSELDORF, GERMANY

PHONE +49 (211) 5296-107      FAX +49 (211) 5296-402

**For Sales & Technical Services, please contact the following representative:**

#### ·TOSHIBA ELECTRONICS EUROPE GMBH

HANSAALLEE 181 40549 DÜSSELDORF, GERMANY

PHONE +49 (211) 5296-107      FAX +49 (211) 5296-402

#### ·TOSHIBA AMERICA ELECTRONIC COMPONENTS, INC.

2150 EAST LAKE COOK ROAD, SUITE 310

BUFFALO GROVE, ILLINOIS 60089 USA

PHONE +1 (847) 484-2400      FAX +1 (847) 541-7287

#### ·TOSHIBA ELECTRON DEVICES & MATERIALS (SHANGHAI) CO., LTD. (TEMS)

RM1606, SH-PLAZA,

No.336, XIZANG ROAD (MIDDLE), SHANGHAI, 200001, CHINA

PHONE +86 (21) 6361-0077      FAX +86 (21) 6351-5760

---

### TOSHIBA ELECTRON TUBES & DEVICES CO., LTD.

(Product Development Engineering Department)

1385 SHIMOISHIGAMI, OTAWARA-SHI, TOCHIGI-KEN, 324-8550, JAPAN

PHONE: +81-287-26-6666      FAX: +81-287-26-6060

<http://www.toshiba-tetd.co.jp/>

·Toshiba Electron Tubes & Devices Co., Ltd. meets the Environmental Management System Standard, ISO14001.

·Toshiba Electron Tubes & Devices Co., Ltd. meets internationally recognized Standards for Quality Management System ISO9001, ISO13485.