

ANALIX™
A-26 Series / A-26L Series

- ◆ The ANALIX A-26 (Short Body Type) A-26L (Long Body Type) series, a water cooled, grounded anode X-ray tube designed for X-ray diffractometry.
- ◆ The maximum input power 2.0 kW.
- ◆ Four Beryllium windows hermetically sealed to metal body.
- ◆ Standard target materials, Cr, Fe, Co, Cu, Mo and W.

General Data

Electrical:

Circuit:

High Voltage Generator	Constant Potential High-Voltage Generator
Grounding	Anode grounding
Maximum Operating Tube Voltage	60 kV
Focal Spot Size	0.4 × 8 mm
Starting Tube Voltage	Less than 10 kV

Mechanical:

Dimensions	See Dimensional Outline
Overall Length:	
A-26	217 mm
A-26L	229.7 mm
Diameter of Maximum Part	
A-26	φ 67.8 mm
A-26L	φ 67.8 mm
Target:	
Angle	Zero degree
Material	
A-26	Co, Cr, Cu, Fe, Mo
A-26L	Co, Cr, Cu, Fe, Mo, W
Inherent Filtration	0.3 mm Beryllium
X-ray Beam Angle	Approx. 8°
X-ray Port	4 Directions

★The information contained herein is presented only as a guide for the applications of our products.
 No Responsibility is assumed by TOSHIBA ELECTRON TUBES & DEVICES CO.,LTD.(TETD) for any infringements of patents or other rights of the third parties which may result from its use. No license is granted by implication or otherwise under any patent or patent rights of TETD or others.
 ★The information contained herein may be changed without prior notice. It is therefore advisable to contact TETD before proceeding with the design of equipment incorporating this product.

Weight:

A-26 Approx. 1.3 kg
 A-26L Approx. 1.5 kg

Cooling:

Method Water cooled
 Quantity of water Minimum 3.5 L/min
 Temperature Less than 35 °C
 Maximum water pressure 490 kPa
 Pressure drop Approx. 98 kPa

Absolute Maximum and Minimum Ratings
(At any time, these values must not be exceeded.)

Maximum X-ray Tube Voltage 60 kV
 Minimum X-ray Tube Voltage 10 kV
 Maximum X-ray Tube Current 40 mA
 Maximum Filament Current 3.8 A
 Filament Frequency Limits DC or AC (Sine Wave) 0 ~ 20 kHz
 Maximum input:

Tube Name	Targets	Maximum Input Power
A-26 / A-26L	Mo	2.0 kW
A-26L	W	2.0 kW
A-26 / A-26L	Cr	1.5 kW
A-26 / A-26L	Cu	1.5 kW
A-26 / A-26L	Co	1.2 kW
A-26 / A-26L	Fe	0.9 kW

Environmental Limits

Operating Limits:

Temperature 10 ~ 40 °C
 Humidity 30 ~ 85 %
 (No condensation)
 Atmospheric Pressure 70 ~ 106 kPa

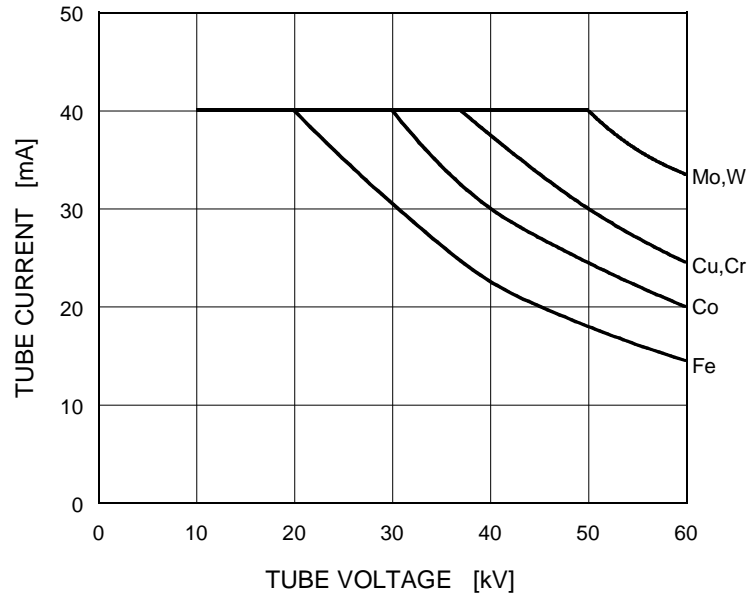
Shipping and Storage Limits:

Temperature -40 ~ 70 °C
 Humidity 20 ~ 90 %
 (No condensation)
 Atmospheric Pressure 50 ~ 106 kPa

Maximum Rating Charts (Absolute Maximum Rating Charts)

Constant Potential High-Voltage Generator

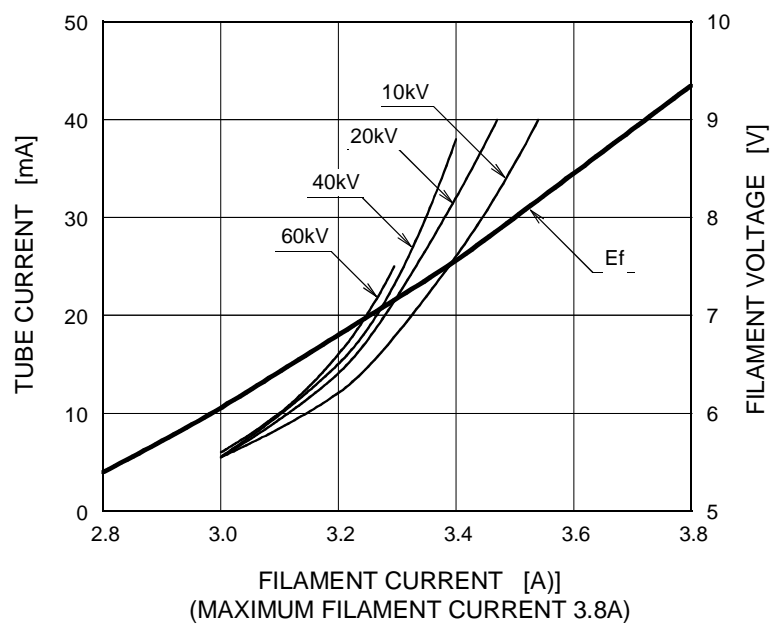
Focal Spot: 0.4 x 8 mm



Emission & Filament Characteristics

Constant Potential High-Voltage Generator

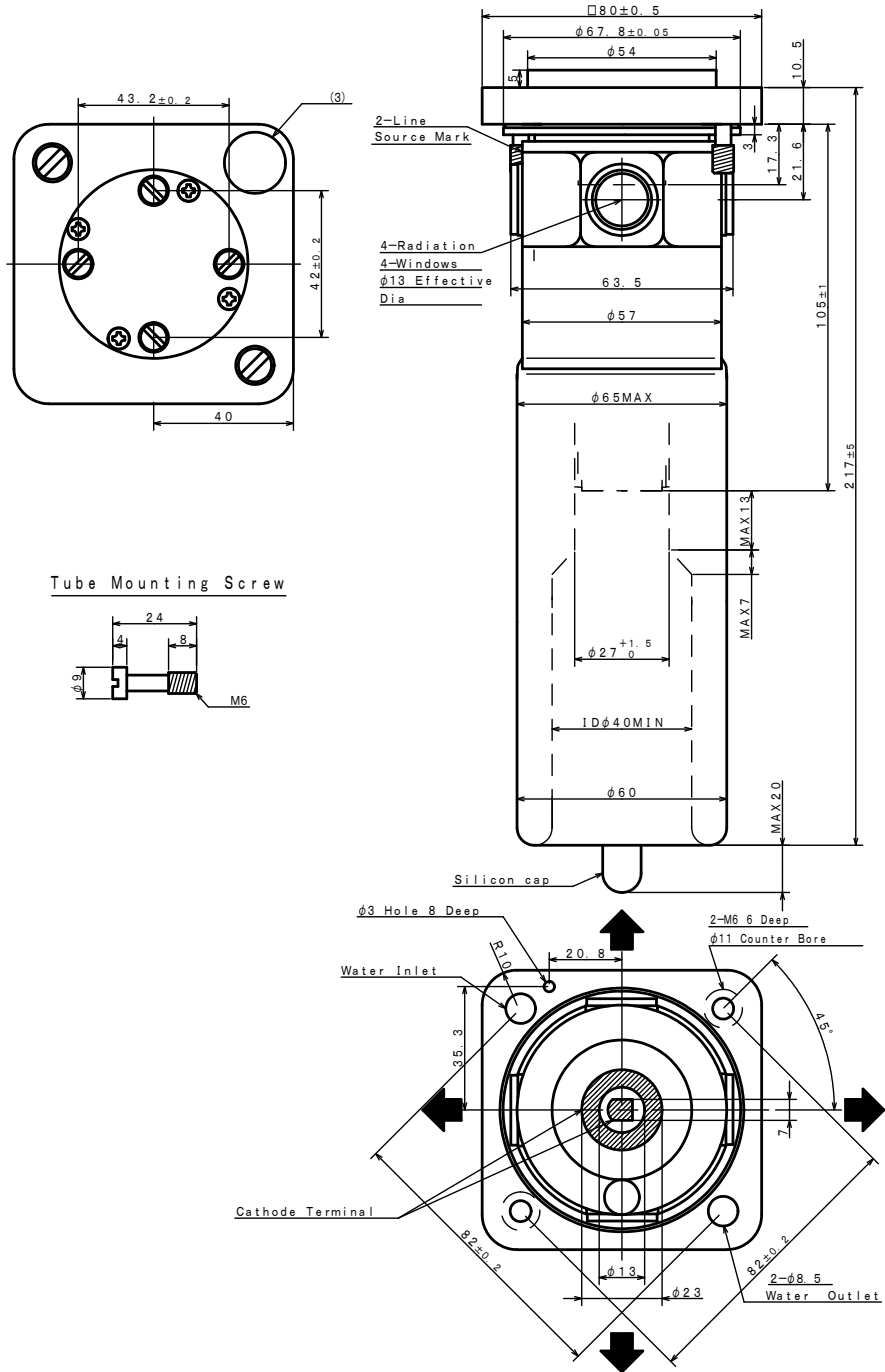
Focal Spot: 0.4 x 8 mm



Note: This graph indicates typical characteristics.

Dimensional Outline of A-26 Series

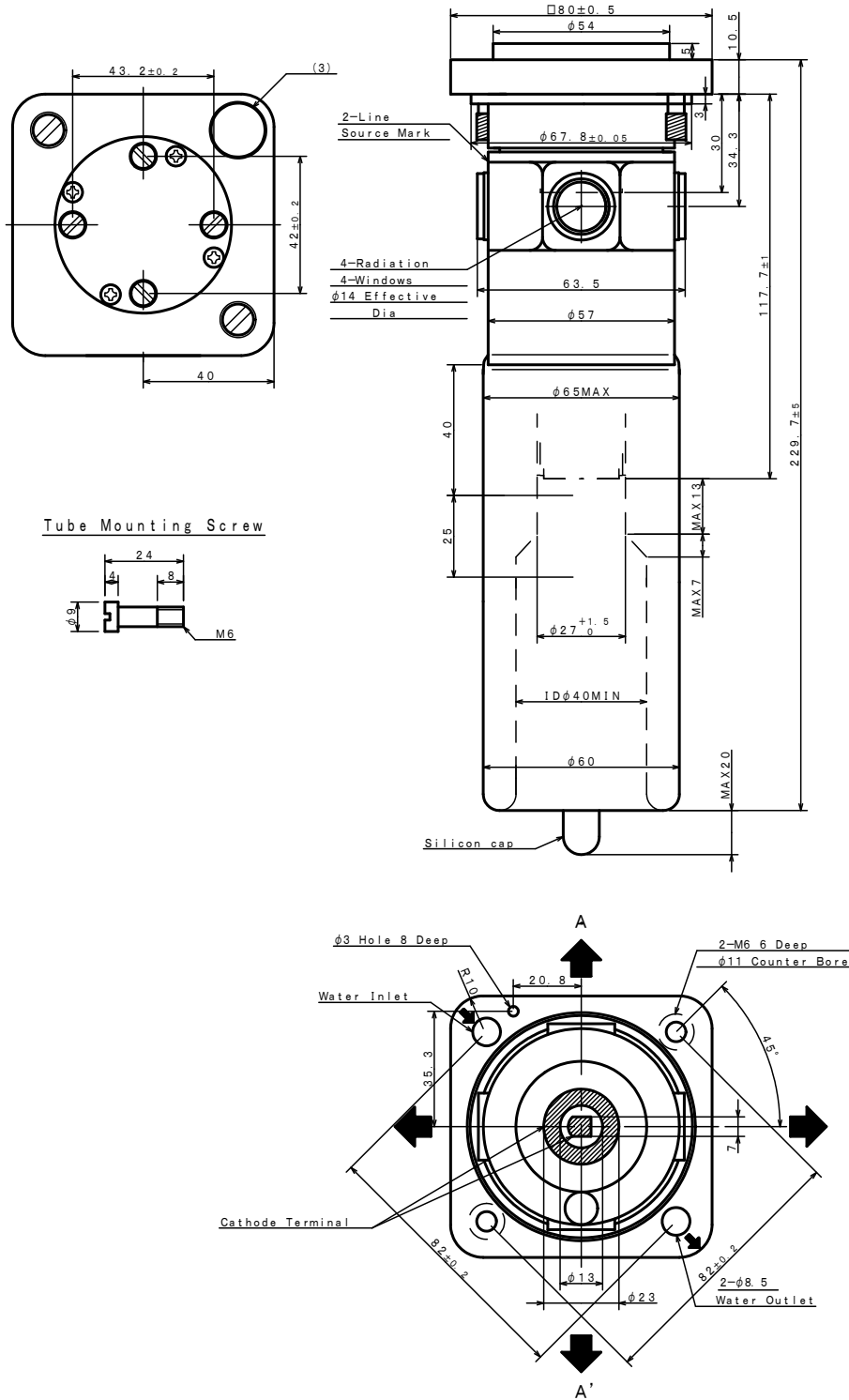
Unit: mm



- Note (1) Mark \blacktriangleright Indicates the direction of central X-ray.
 (2) The window mark in white gives a line source. This focus lies in A-A' axis.
 (3) The material of target is signified with the chemical element symbol.

Dimensional Outline of A-26L Series

Unit: mm



- Note (1) Mark Indicates the direction of central X-ray.
 (2) The window mark in white gives a line source. This focus lies in A-A' axis.
 (3) The material of target is signified with the chemical element symbol.

OVERSEAS SUBSIDIARIES AND AFFILIATES

EU REPRESENTATIVE

·TOSHIBA ELECTRONICS EUROPE GMBH

HANSAALLEE 181 40549 DÜSSELDORF, GERMANY
PHONE +49 (211) 5296-107 FAX +49 (211) 5296-402

For Sales & Technical Services, please contact the following representative:

·TOSHIBA ELECTRONICS EUROPE GMBH

HANSAALLEE 181 40549 DÜSSELDORF, GERMANY
PHONE +49 (211) 5296-107 FAX +49 (211) 5296-402

·TOSHIBA AMERICA ELECTRONIC COMPONENTS, INC.

2150 EAST LAKE COOK ROAD, SUITE 310
BUFFALO GROVE, ILLINOIS 60089 USA
PHONE +1 (847) 484-2400 FAX +1 (847) 541-7287

·TOSHIBA ELECTRON DEVICES & MATERIALS (SHANGHAI) CO., LTD. (TEMS)

RM1606, SH-PLAZA,
No.336, XIZANG ROAD (MIDDLE), SHANGHAI, 200001, CHINA
PHONE +86 (21) 6361-0077 FAX +86 (21) 6351-5760

TOSHIBA ELECTRON TUBES & DEVICES CO., LTD.

(Product Development Engineering Department)

1385 SHIMOISHIGAMI, OTAWARA-SHI, TOCHIGI-KEN, 324-8550, JAPAN

PHONE: +81-287-26-6666 FAX: +81-287-26-6060

<http://www.toshiba-tetd.co.jp/>

·Toshiba Electron Tubes & Devices Co., Ltd. meets the Environmental Management System Standard, ISO14001.

·Toshiba Electron Tubes & Devices Co., Ltd. meets internationally recognized Standards for Quality Management System ISO9001, ISO13485.