

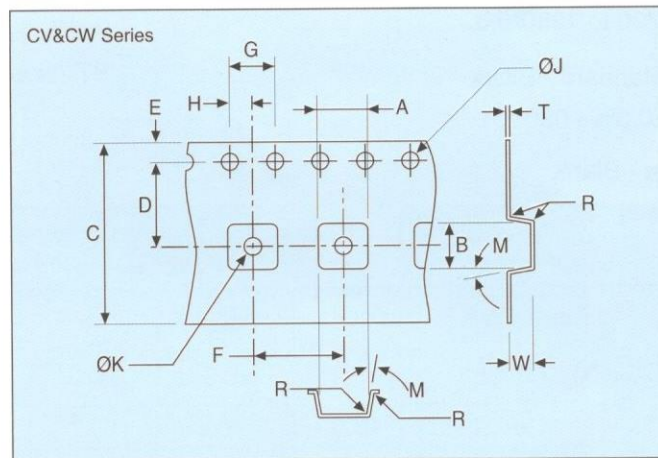
ZTACV/ZTTCV/ZTACW/ZTTCW Series Tape and Reel Packaging

ZTACV/ZTTCV : 1,000 pieces per reel

ZTACW/ZTTCW : 3,000 pieces per reel

Tape Dimensions (mm)

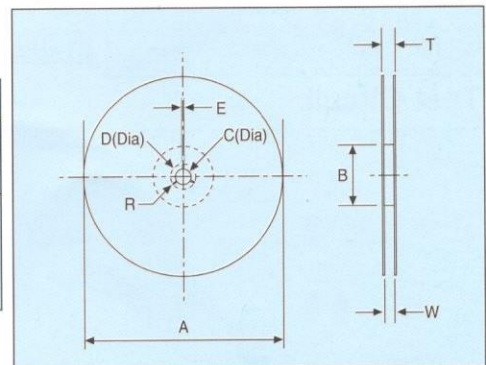
| Series | A | B | C | D | E | F | G | H | ØJ | ØK | M | R | W | T |
|--------|------|------------|------|------|------|------|------|------|------------|------------|------|------|-------|-------|
| ZTACV | 3.4 | 4 | 12.0 | 5.5 | 1.75 | 8.0 | 4.0 | 2.0 | 1.5 | 1.6 | 10° | 0.3 | 1.3 | 0.3 |
| ZTTCV | ±0.2 | ±0.2 | ±0.3 | ±0.1 | ±0.1 | ±0.1 | ±0.1 | ±0.1 | ±0.1 | ±0.1 | max. | max. | ±0.2 | ±0.1 |
| ZTACW | 2.3 | 2.8 | 8.0 | 3.5 | 1.75 | 4.0 | 4.0 | 2.0 | 1.5 | 1.0 | 3° | 0.3 | 1.75 | 0.2 |
| ZTTCW | ±0.1 | +0.4 -0 | ±0.2 | ±0.1 | ±0.1 | ±0.1 | ±0.1 | ±0.1 | +0.1 -0 | +0.2 -0 | max. | max. | ±0.05 | ±0.05 |



Tape Dimensions (mm)

| Series | ØA | ØB | C | D | E | R | W | T |
|--------|-----|-----|------|------|------|-----|--------------|------|
| ZTACV | 179 | 60 | 13 | 21 | 2 | 1.0 | 12.4 | 19.4 |
| ZTTCV | ±2 | TYP | ±0.5 | ±0.8 | ±0.5 | 1.0 | min. | max. |
| ZTACW | 180 | 60 | 13 | 21 | 2 | 1.0 | 9.0 | 14.0 |
| ZTTCW | | TYP | ±0.2 | ±0.8 | ±0.5 | 1.0 | +1.0 -0.5 | max. |

TYP = Typical Value



Taping Method

